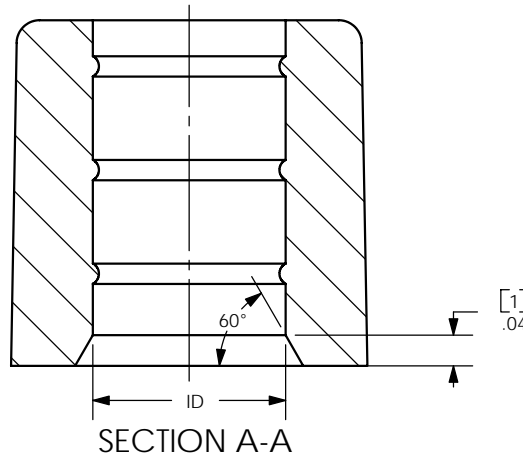
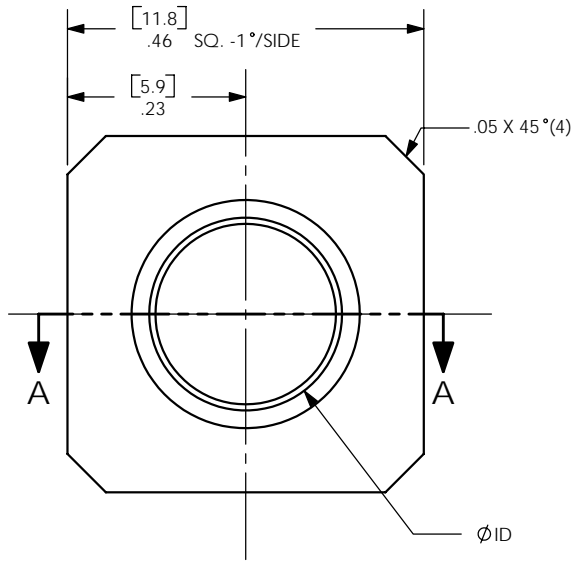
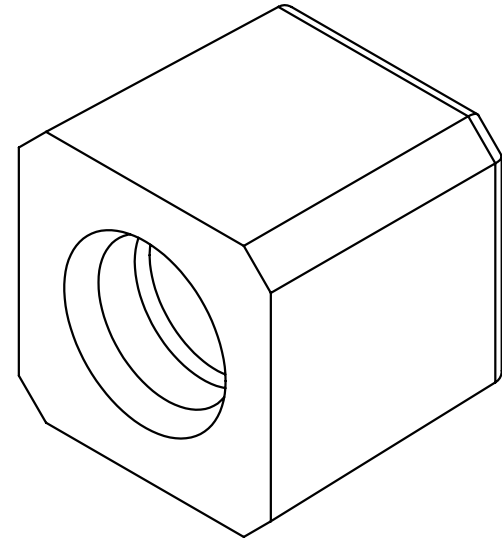
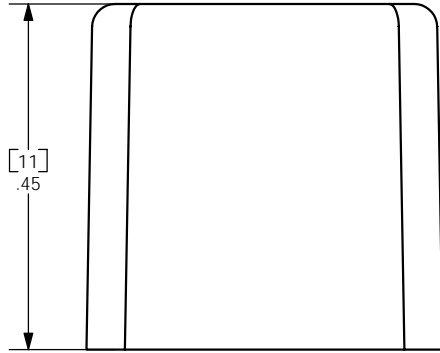


THE INFORMATION CONTAINED IN THIS DRAWING IS THE SOLE PROPERTY OF ANDERSON POWER PRODUCTS. ANY REPRODUCTION IN PART OR WHOLE WITHOUT THE WRITTEN PERMISSION OF ANDERSON POWER PRODUCTS IS PROHIBITED.

ANDERSON POWER PRODUCTS RESERVES THE RIGHT TO ALTER PRODUCT TYPES, THEIR TECHNICAL DATA, DIMENSION, STYLE AND ACCESSORIES WITHOUT PRIOR NOTIFICATION.

DATE	CMS 12/7/06
BY:	CMS
DESCRIPTION OF CHANGES	
REV.	1
	ECRM 14088: ADD NOTES



PART #	WIRE SIZE	ID
114411P2	6 AWG	.35
114411P1	8 AWG	.25
114411P3	10/12 AWG	.17

SEE NOTE 1

① NOTES:

- WIRE SIZES ARE PROVIDED FOR REFERENCE. DUE TO SIGNIFICANT VARIATION IN CABLE INSULATION THICKNESSES, IT IS RECOMMENDED THAT GROMMET SELECTION BE BASED ON OD OF CABLE TO BE USED.
- GROMMETS ARE DESIGNED TO BE SNUG ON THE WIRE AND IN THE PP75 HOUSING. FOR EASE OF ASSEMBLY, LUBRICATION THAT IS COMPATIBLE WITH POLYCARBONATE, SUCH AS *TRUCK-LITE NYK-77* & *NOVAGARD G661*, CAN BE USED.

COPYRIGHT 2004 ANDERSON POWER PRODUCTS. ALL RIGHTS RESERVED. UNAUTHORIZED REPRODUCTION HEREBY PROHIBITED.

DIMENSIONS ARE IN INCHES DIMENSIONS IN PARENTHESES [] ARE IN MILLIMETERS		CAD GENERATED DRAWING, DO NOT MANUALLY UPDATE		ANDERSON POWER PRODUCTS	
TOLERANCES ARE: 2PL- ±.02 [±.5]		APPROVALS	DATE		
MATERIALS: TPE UL94V-0 BLACK		DRAWN	CMS 3/16/04	SIZE A SPECIFICATION: 114411S1 REV. 1	
FINISH NONE		CHECKED	DJD 3/17/04		
DO NOT SCALE DRAWING		RESP ENG	MAW 3/18/04		
		MFG ENG	DAM 3/19/04		
		QUAL ENG	RPO 3/18/04		