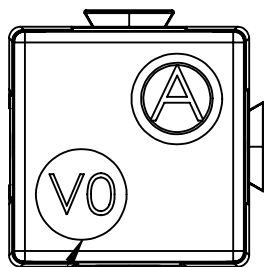
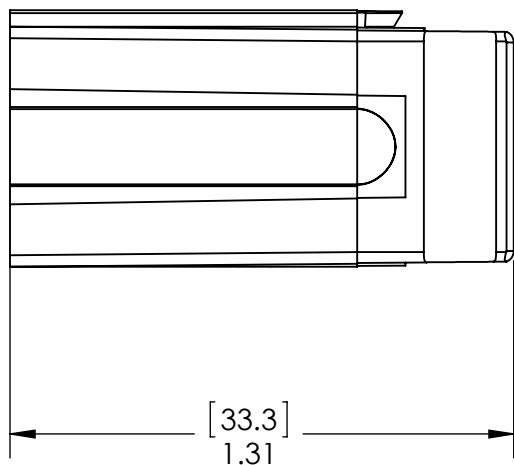


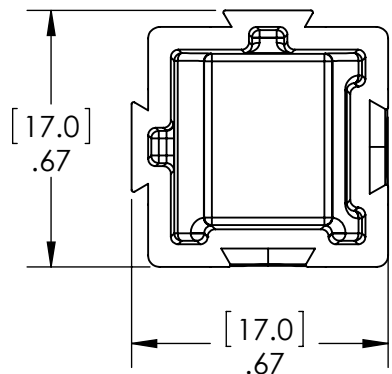
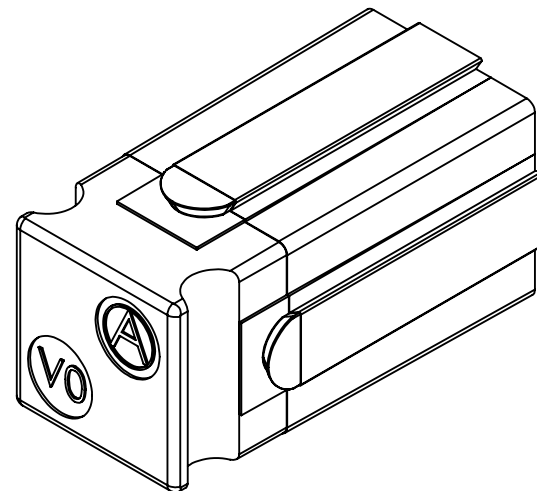
THE INFORMATION CONTAINED IN THIS DRAWING IS THE SOLE PROPERTY OF ANDERSON POWER PRODUCTS. ANY REPRODUCTION IN PART OR WHOLE WITHOUT THE WRITTEN PERMISSION OF ANDERSON POWER PRODUCTS IS PROHIBITED.

**Copyright 2012**

ANDERSON POWER PRODUCTS RESERVES THE RIGHT TO ALTER PRODUCT TYPES, THEIR TECHNICAL DATA, DIMENSION, STYLE AND ACCESSORIES WITHOUT PRIOR NOTIFICATION.



SEE TABLE FOR MATERIAL ID



POWERPOLE 75 SPACER			
COLOR	MATERIAL	MATERIAL ID	CATALOG NUMBER
RED	POLYCARBONATE	VO	1399G23-BK
RED	PBT+PC	P	1399G24-BK

- NOTES:
1. THESE SPACERS ARE INTENDED TO PROVIDE A KEYING FEATURE TO POWERPOLE ARRAYS.
  2. 1399G23 SHOWN UNLESS NOTED OTHERWISE

DIMENSIONS ARE IN:		INCH [MM]		<b>APPROVALS</b>		 <b>ANDERSON POWER PRODUCTS</b> TITLE SALES OUTLINE FOR PP75 SHORT SPACER			
UNLESS OTHERWISE STATED				DRAWN	MC		10/5/2012		
TOLERANCES:				CHECKED	NTS		11/7/2012		
DECIMALS (INCH)    DECIMALS (MM)    ANGLES .XX ± .02            .X ± .5                    ±2°				MFG APPRV	CHB		11/7/2012		
SURFACE FINISH:				QC APPRV	UFN	11/7/2012			
MACHINED    128µin [3.2µ] MOLDED        64µin [1.6µ]				ENG APPRV	BD	11/7/2012			
MATERIAL:				SIZE	A	DWG NO.	115205S2	REV.	0
FINISH:				SCALE	NONE	CADFILE	03829	SHEET	1 OF 1
 3rd ANGLE PROJECTION				-CAD GENERATED DRAWING- DO NOT MANUALLY UPDATE DO NOT SCALE					

REV.	DESCRIPTION	APPRV	DATE
REVISIONS			