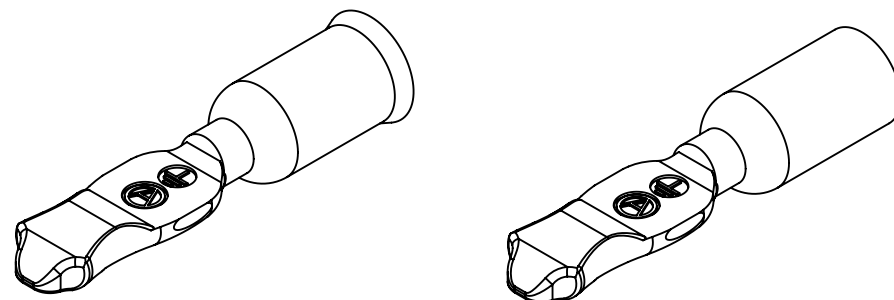
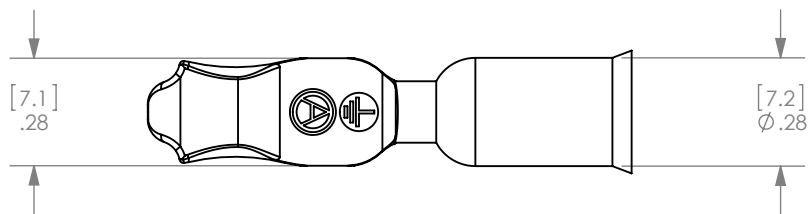


THE INFORMATION CONTAINED IN THIS DRAWING IS THE SOLE PROPERTY OF ANDERSON POWER PRODUCTS. ANY REPRODUCTION IN PART OR WHOLE WITHOUT THE WRITTEN PERMISSION OF ANDERSON POWER PRODUCTS IS PROHIBITED.

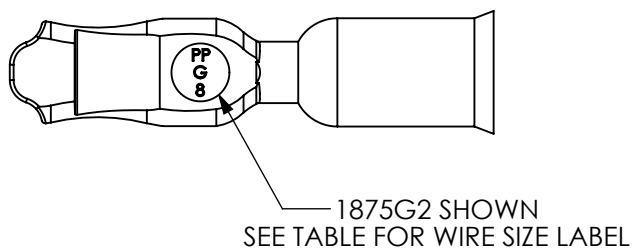
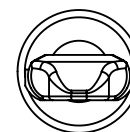
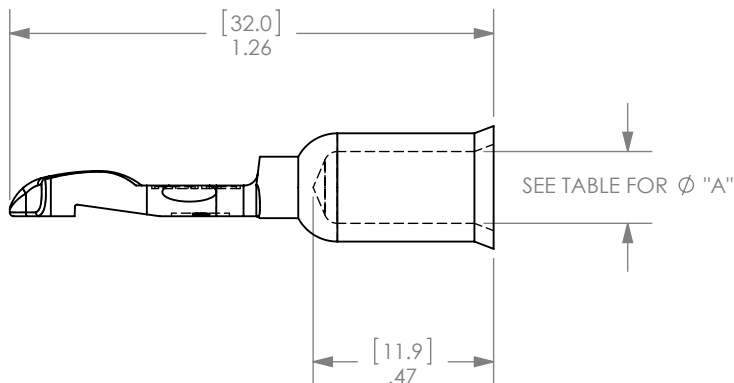
**Copyright 2014**

ANDERSON POWER PRODUCTS RESERVES THE RIGHT TO ALTER PRODUCT TYPES, THEIR TECHNICAL DATA, DIMENSION, STYLE AND ACCESSORIES WITHOUT PRIOR NOTIFICATION.



1875G1 & 1875G2

1875G3



CATALOG NUMBER		WIRE SIZE (AWG)		DIM "A"			
1875G1		#6		.22 [5.6]			
1875G2		#8		.19[4.8]			
1875G3		#10/#12		.14[3.5]			
DIMENSIONS ARE IN:		INCH [MM]		APPROVALS			
UNLESS OTHERWISE STATED		DRAWN		 <b>ANDERSON POWER PRODUCTS</b> TITLE 1875G SERIES PP75 GROUND CONTACT			
TOLERANCES:		MC				3/20/2014	
DECIMALS (INCH) DECIMALS (MM) ANGLES		CHECKED				3/20/2014	
.XX ± .02 .X ± .5 ±2°		CLY				3/20/2014	
SURFACE FINISH:		MFG APPRV		3/20/2014			
MACHINED 128µin [3.2µ]		LLD		3/20/2014			
MOLDED 64µin [1.6µ]		QC APPRV		3/20/2014			
MATERIAL:		HN		3/20/2014			
COPPER ALLOY		ENG APPRV		3/21/2014			
FINISH:		NTS		3/21/2014			
SILVER PLATE		SIZE		DWG NO.			
 3rd ANGLE PROJECTION		A		115358S2			
-CAD GENERATED DRAWING- DO NOT MANUALLY UPDATE DO NOT SCALE		SCALE		SHEET			
		NONE		04226 1 OF 1			

REV.	DESCRIPTION	APPRV	DATE
REVISIONS			