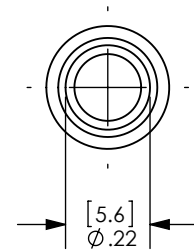
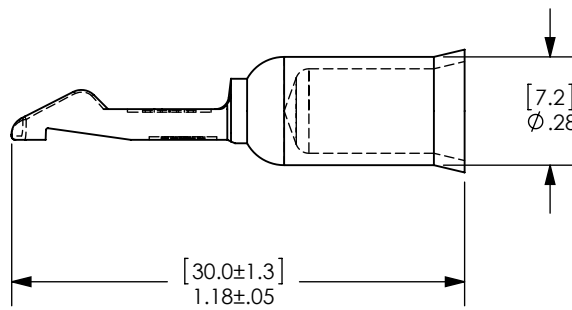
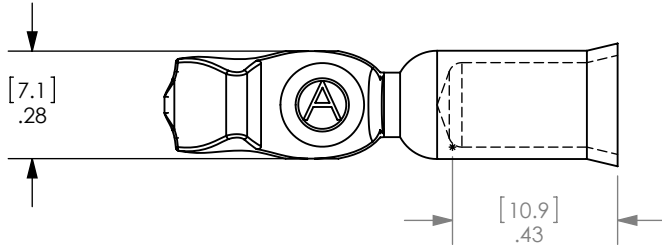




CATALOG NO. 5900



13	ECRN-15450 UPDATING OUTLINE TO CURRENT MODEL	TWE	8/6/2013
12	ECRN-14452 REVISED PER ECRN	CHB	8/6/2013
11	ECRN-13652 CHG RADIUS	DJD	12/31/03
10	ECRN-13635	CHB	11/11/03
REV.	DESCRIPTION	APPRV	DATE

REVISIONS

DIMENSIONS ARE IN:	INCH [MM]	APPROVALS	DATE	 ANDERSON POWER PRODUCTS TITLE OUTLINE PP75/SB50 CONTACT FOR #6 WIRE HIGH DETENT
UNLESS OTHERWISE STATED:		DRAWN		
TOLERANCES:		CHECKED		
DECIMALS (INCH)	DECIMALS (MM)	ANGLES		
.XX ± .02	.X ± .5	±2°		
SURFACE FINISH:		MFG APPRV		
MACHINED	128µin [3.2µ]	DSM	11/28/2003	
MOLDED	64µin [1.6µ]	QC APPRV		
MATERIAL:		RPO	11/28/2003	
FINISH:		ENG APPRV		
		UFN	11/28/2003	
 3RD ANGLE PROJECTION		-CAD GENERATED DRAWING- DO NOT MANUALLY UPDATE DO NOT SCALE		SIZE: A DWG. NO.: 1C0608S4 REV.: 13 SCALE: NONE CAD FILE: 04035 SHEET: 1 OF 1