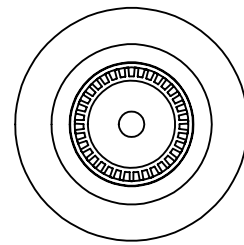
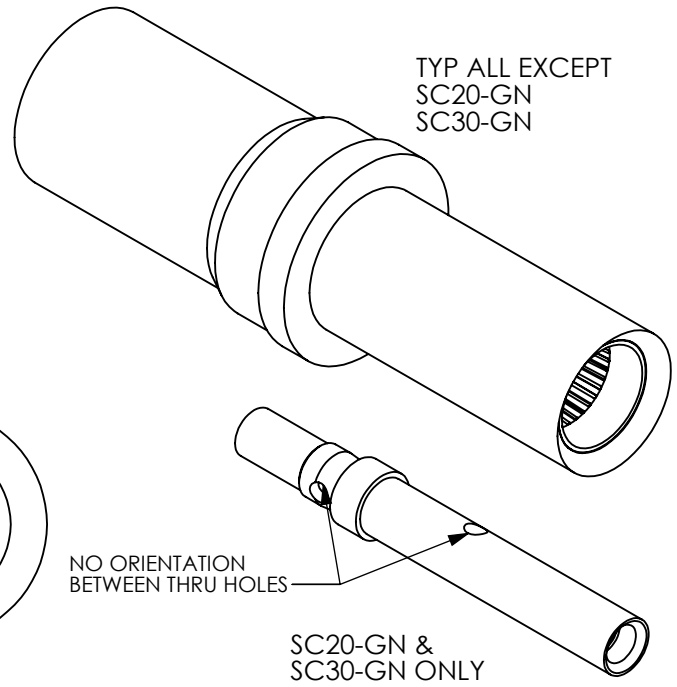
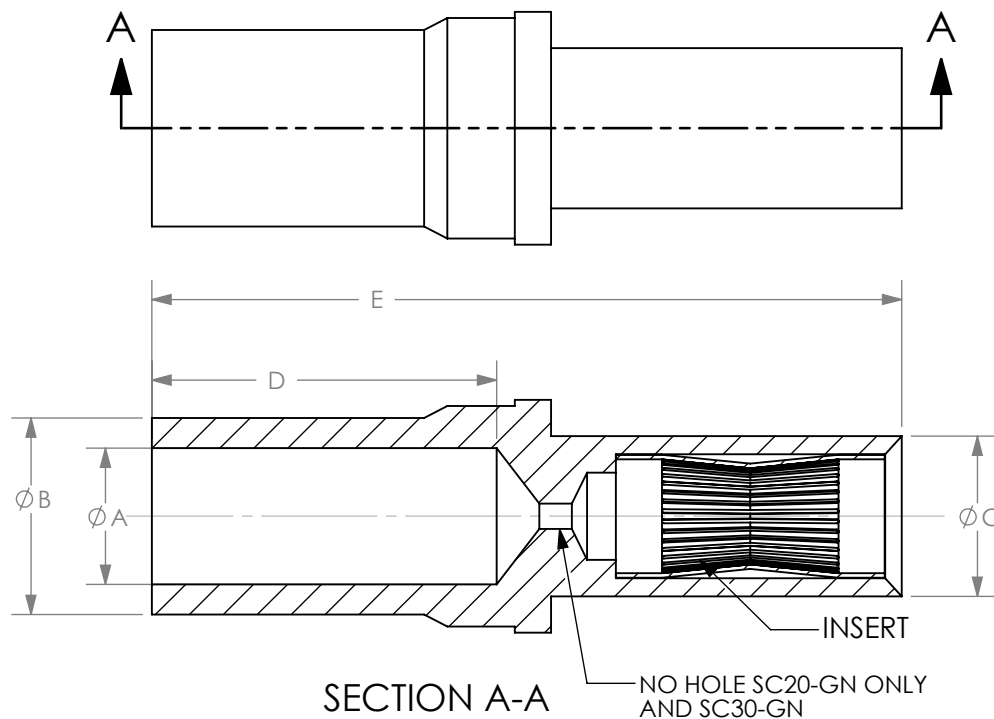


8 7 6 5 4 3 2 1

THE INFORMATION CONTAINED IN THIS DRAWING IS THE SOLE PROPERTY OF ANDERSON POWER PRODUCTS. ANY REPRODUCTION IN PART OR WHOLE WITHOUT THE WRITTEN PERMISSION OF ANDERSON POWER PRODUCTS IS PROHIBITED.

Copyright 2011

ANDERSON POWER PRODUCTS RESERVES THE RIGHT TO ALTER PRODUCT TYPES, THEIR TECHNICAL DATA, DIMENSION, STYLE AND ACCESSORIES WITHOUT PRIOR NOTIFICATION.



- NOTES:**
1. SC08-SN FOR USE IN 75 AMP POWER DRAWER ONLY
 2. SC16-SN FOR USE IN 35 AMP POWER DRAWER ONLY
 3. CRIMP CONTACTS ONTO WIRE PRIOR TO INSERTION INTO HOUSING
 4. MATERIALS:
 SOCKET BODY-
 SC08-SN, SC12-SN, SC16-SN, SC12-GH- COPPER
 SC30-GN, SC20-GN- BRASS
 SOCKET INSERT- BECU
 5. PLATING:
 SOCKET BODY-
 SC08-SN, SC16-SN, AND SC12-SN: SILVER OVER NICKEL
 SC20-GN, SC30-GN BODY: GOLD OVER NICKEL
 SOCKET INSERT- GOLD OVER NICKEL
 5. LUBE PER SPEC 1S1136

DIM	A	B	C	D	E	
PART NO.	IN[MM]	IN[MM]	IN[MM]	IN[MM]	IN[MM]	DESCRIPTION
SC08-SN	.18[4.5]	.26[6.5]	.21[5.3]	.45[11.4]	.98[24.8]	#8 AWG
SC12-SN	.10[2.6]	.15[3.8]	.16[4.1]	.26[6.5]	.75[19.0]	#12 AWG
SC16-SN	.07[1.7]	.10[2.6]	.12[3.0]	.28[7.0]	.75[19.2]	#16 AWG
SC20-GN	.05[1.2]	.08[2.0]	.08[2.1]	.20[5.2]	.69[17.4]	#20 AWG
SC30-GN	.03[0.7]	.08[2.0]	.08[2.1]	.20[5.2]	.69[17.4]	#30 AWG
SC12-GH	.10[2.6]	.16[4.0]	.16[4.1]	.26[6.5]	.75[19.1]	#12 AWG HOT PLUG SOCKET

REV	DESCRIPTION OF CHANGES	APPROVED	DATE
7	ECRN-14975	TWE	9/21/11
6	ECRN-14963	CMS	8/6/11
5	ECRN-14415	CHB	5/4/06
4	ECRN-14006	CMS	5/4/06
3	ECRN-13896	DD	8/25/05

DIMENSIONS ARE IN:	MM [INCH]	APPROVALS	
UNLESS OTHERWISE STATED		DRAWN	CMS 6/13/2003
TOLERANCES:		CHECKED	DJD 6/13/2003
DECIMALS (INCH)	DECIMALS (MM)	MFG APPRV	DAM 6/18/2003
	ANGLES	QC APPRV	RPO 6/18/2003
2PL±.02[±.5]		ENG APPRV	MAW 6/18/2003
MATERIAL: SEE NOTE 4		-CAD GENERATED DRAWING- DO NOT MANUALLY UPDATE DO NOT SCALE	
FINISH: SEE NOTE 5		SIZE	A
		DWG NO.	114444S1
		SCALE	4:1
		CADFILE	01768
		SHEET	1 OF 1

ANDERSON POWER PRODUCTS

TITLE
 SOCKET CRIMP CONTACTS FOR POWER DRAWER SERIES CONNECTORS

REV. 7

8 7 6 5 4 3 2 1