

The Anderson Power Products Dual Pole Power Clip is designed as a low cost interconnection between two perpendicular power bus bars. The product's high performance contacts offer low voltage drop and superior amperage carrying capability. There is no mating connector to the Dual Pole Power Clip as it accepts a solid .125 inches or 3mm thick nickel or gold plated rectangular bus bar tab.

The product is often used in "N+1" rectifier, power supply and switching power supply applications. The Dual Pole Power Clip's design enables the connector to be blind mated in the deepest racks.

The Dual Pole design allows for mating to a two pole laminated bus bar or double sided PSB tab. This will allow for feed and return with one single socket.

The Dual Pole Power Clip is recognized to UL1977 and CSA standard C22.2 and is rated for up to 300 amps continuous service.

FEATURES

- High 300A Current Rating**
Small size provides dense power packaging
- Mates with .125 inches or 3mm flat Bus Bar Blade**
Simplifies construction and lowers cost
- Blind Mating Design**
Allows greater vertical chassis manufacturing tolerances
- UL and CUR Recognized**
Product safety and electrical performance has been verified to the highest standards



PRODUCT SPECIFICATIONS

Electrical		Mechanical		Materials	
Current Rating (Amperes) (1)		Insertion Force (lbs)	20	Housing	PBT UL94 V-0
UL	300	(N)	89	Contact Plating (mating surface)	Minimum 0.76 microns Au over Ni
CSA (30°C Rise)	200	Extraction Force (lbs)	10		
UL / CSA Voltage Rating (AC/DC)	600	(N)	44		
Operating Temperature Range					
(C°)	-40° to 105°				
(F°)	-40° to 221°				
Average Contact Resistance	55				
(micro-ohm)					

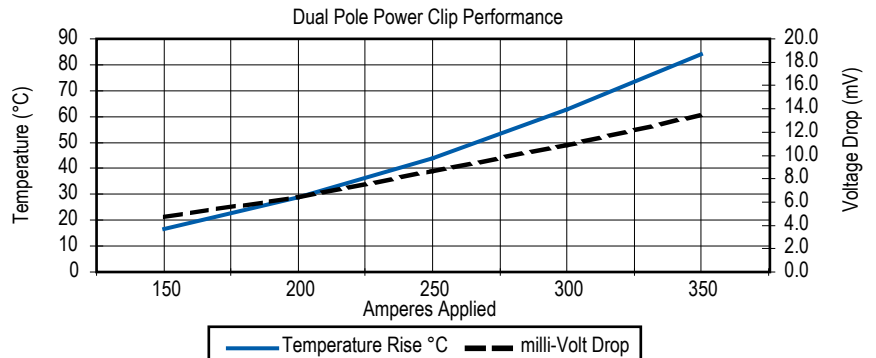
(1) Ratings using nickel plated tab

ORDERING INFORMATION

Complete Connector

Part Number	Description
PCL03	Dual Pole Power Clip Connector

TEMPERATURE CHART

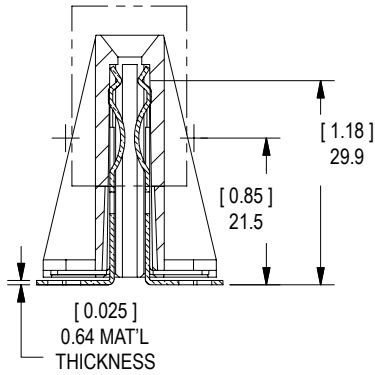


The graph shows the Dual Pole Power Clip electrical performance in terms of temperature rise and voltage drop at currents from 150A to 350A. The set up for the test consisted of the following:

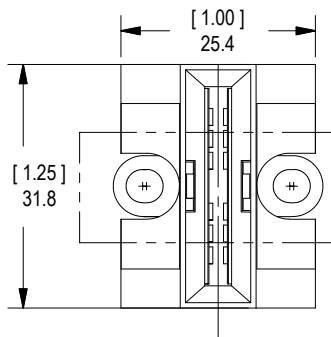
- Six Power Clips were mounted on a bus bar that was 0.25 x 1.75 x 6.0 inches in diameter.
- The test samples were connected in series using 1/0 AWG wire attached to a 1" long and .125" thick nickel plated mating blades.

DIMENSIONS

Side View



Top View



Mating Blade - Required Dimensions

