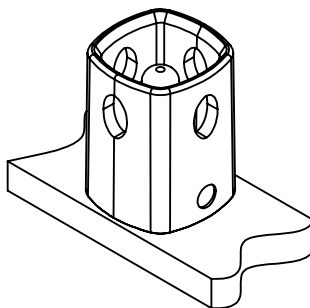
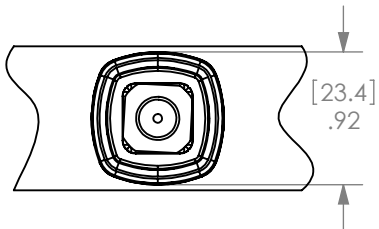


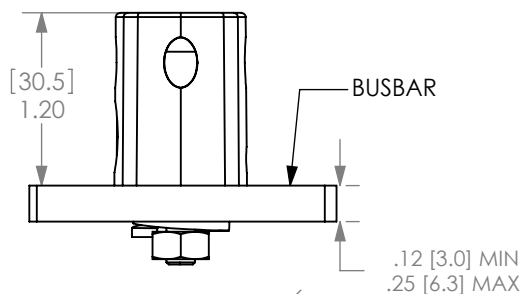
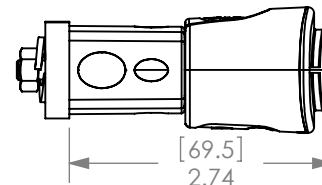
THE INFORMATION CONTAINED IN THIS DRAWING IS THE SOLE PROPERTY OF ANDERSON POWER PRODUCTS. ANY REPRODUCTION IN PART OR WHOLE WITHOUT THE WRITTEN PERMISSION OF ANDERSON POWER PRODUCTS IS PROHIBITED.

Copyright 2004

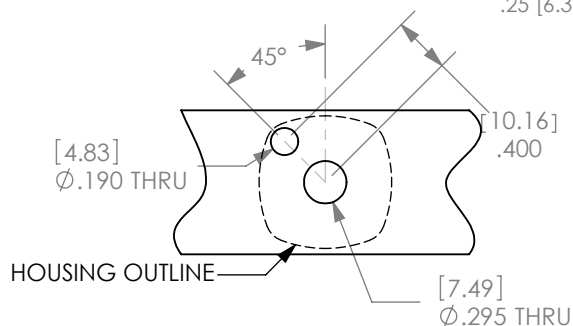
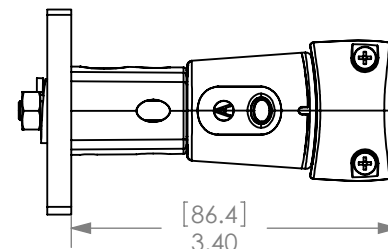
ANDERSON POWER PRODUCTS RESERVES THE RIGHT TO ALTER PRODUCT TYPES, THEIR TECHNICAL DATA, DIMENSION, STYLE AND ACCESSORIES WITHOUT PRIOR NOTIFICATION.



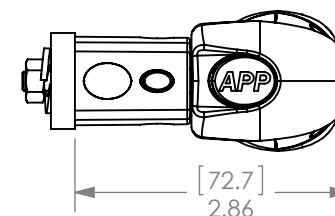
MATED LENGTH TO SP FEMALE STRAIGHT WIRE WITHOUT CABLE CLAMP



MATED LENGTH TO SP FEMALE STRAIGHT WIRE WITH OPTIONAL CABLE CLAMP



MATED LENGTH TO SP FEMALE RIGHT ANGLE



NOTES:

- BUSBARS TO BE .12[3.0] - .25[6.3] THICK
- CONNECTOR KIT COMES WITH HOUSING, BUSBAR CONTACT, M6 NUT AND LOCKWASHER
- MATERIALS:
 HOUSING: POLYESTER
 BUSBAR CONTACT: COPPER ALLOY, SILVER PLATE
 HARDWARE: STEEL, ZINC PLATE
 REFER TO THE DATA SHEET FOR COMPLETE SPECIFICATIONS
- TIGHTENING TORQUE = 31 IN-LBS [3.5N-M]

| | | | | | | | |
|-------------------------|---------------|-----------|--|---|-----------|--------------------------------|---|
| DIMENSIONS ARE IN: | | INCH [MM] | | APPROVALS | | ANDERSON POWER PRODUCTS | |
| UNLESS OTHERWISE STATED | | | | DRAWN | CMS | 9/13/2004 | TITLE POWERMOD HP A SERIES SINGLE POLE MALE BUSBAR CONNECTOR |
| TOLERANCES: | | | | CHECKED | DJD | 1/17/2005 | |
| DECIMALS (INCH) | DECIMALS (MM) | ANGLES | | MFG APPRV | DAM | 3/21/2005 | |
| .XX ±.02 | .X ±.5 | ±2° | | QC APPRV | CHB | 3/14/2005 | |
| SURFACE FINISH: | | | | ENG APPRV | MAW | 3/15/2005 | |
| MACHINED 128µin [3.2µ] | | | | SIZE | A | DWG NO. | 114540S1 |
| MOLDED 64µin [1.6µ] | | | | FINISH: | SEE NOTES | SCALE | CADFILE |
| MATERIAL: SEE NOTES | | | | -CAD GENERATED DRAWING- DO NOT MANUALLY UPDATE DO NOT SCALE | | NONE | 02134 |
| FINISH: SEE NOTES | | | | 3rd ANGLE PROJECTION | | SHEET | 1 OF 1 |

| | | | |
|-----------|-------------|-------|-----------|
| 1 | ECRN-15777 | CMS | 2/17/2015 |
| REV. | DESCRIPTION | APPRV | DATE |
| REVISIONS | | | |