

# PowerMod® HP

## Dual Pole Panel Mount Blind Mate Female - Series A

PowerMod HP connectors, developed by Anderson Power Products, are the innovative New Generation of High Power Interconnections for the Electronics Industry.

The touch-safe PowerMod HP female panel connector is designed for high power connector safety. Male panel connectors are designed for blind mating with female panel connectors or positive latching with female cable connectors. Housings are a black UL94 V-0 flame retardant material.

PowerMod HP contacts are durable and rated for circuit interruption (true hot-pluggable). Series A contacts are available in #6 to #2 American wire gauge and 16mm<sup>2</sup> to 35mm<sup>2</sup> metric wire sizes for global design freedom.

Our optional blind mating hardware accommodates up to +/- .125" (3mm) of misalignment and is available for both male and female panel connectors.

The PowerMod HP connectors embody the highest quality in the industry and meet all applicable industry standards.

### Features

- **Blind mate panel mount option**

*Provides over +/- .125" (3mm) of float mount capability*

- **Touch safe female connectors**

*Provides IP20 protection for safe, energized use outside the electronics cabinet*

- **High performance, hot pluggable female contacts**

*Our patented design provides greater longevity for high power, elevated temperature applications*

- **Low connector mating forces**

*Connectors are easily mated and un-mated*

- **Ease of assembly**

*Intuitive design allows for simplicity of assembly*



## SPECIFICATIONS

Electrical		Mechanical	
Current Rating (Amperes)		Mating Force	15 lbs. (66.72N) avg
UL	210	Latch Retention Force	50 lbs. (222N) min
CSA (30°C Rise)	130	Contact Retention Force	100 lbs. (445N) min
UL / CSA Voltage Rating	600	Mating	
Wire Size (AWG)	#6 to #2	a. No Load (mating cycles)	500
(mm <sup>2</sup> )	16 to 35	b. Under Load (Hot Plug 250 mating cycles @ 120V)	80A
Dielectric Withstanding Voltage (AC)	2200	<b>Materials</b>	
Operating Temperature (°C)	-40° to 130°	Housing & Cable Clamp	PBT UL94 V-0
(°F)	-40° to 266°	Latch	PEI UL94 V-0
Ambient Temperature (°C)	-40° to 85°	Contacts	Copper alloy silver plate
(°F)	-40° to 185°	Hardware	Steel zinc chromate



## ORDERING INFORMATION

### PowerMod HP Part Number Plan - Dual Pole Panel Mount Blind Mate Female

Series	Series	Gender	Model	Wire Size
PMHP	A	F	14	S01
A *				
F - Female				
14 - Dual Pole Female Panel Mount				
S05 - 6 AWG				
S04 - 16mm <sup>2</sup>				
S03 - 4 AWG				
S02 - 25mm <sup>2</sup>				
S01 - 2 AWG & 35mm <sup>2</sup>				
* Maximum wire size 2 AWG or 35mm <sup>2</sup>				

### Components

Part Number	Description
PMHPAF14	Housing Kit, Female, Dual Pole, Panel Mount
PMHPAS05	Socket, Series A, Crimp for 6 AWG wire
PMHPAS04	Socket, Series A, Crimp for 16mm <sup>2</sup> wire
PMHPAS03	Socket, Series A, Crimp for 4 AWG wire
PMHPAS02	Socket, Series A, Crimp for 25mm <sup>2</sup> wire
PMHPAS01	Socket, Series A, Crimp for 2 AWG & 35mm <sup>2</sup> wire
PMHPAFMH	Float Mount Kit

# Dual Pole Panel Mount Blind Mate Female - Series A

## ORDERING INFORMATION

## TEMPERATURE CHART

### Tooling

Pneumatic Production Tool				
Wire Size	Part Number	Die P/N	Locator P/N	Number of Crimps
#2 AWG 35mm <sup>2</sup>	1387G2	1303G13	1304G19	2
25mm <sup>2</sup>	1387G2	1303G13	1304G19	2
#4 AWG 16mm <sup>2</sup>	1387G2	1303G14	1304G19	2
#6 AWG	1387G2	1303G14	1304G19	2

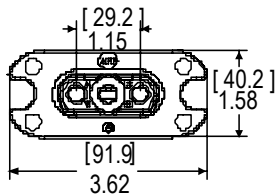
Hand Tool				
Wire Size	Hydraulic	Battery	Die P/N	Number of Crimps
#2 AWG 35mm <sup>2</sup>	1387G3	1370G1	1322G7	2
25mm <sup>2</sup>	1387G3	1370G1	1322G11	2
#4 AWG 16 mm <sup>2</sup>	1387G3	1370G1	1322G8	2
#16 AWG	1387G3	1370G1	1322G9	2

### Accessories

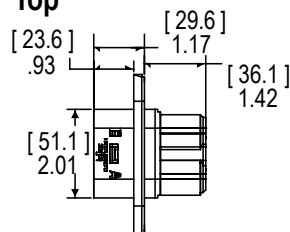
Part Number	Description
PMHPAFDC	Dust Cover

## DIMENSIONS

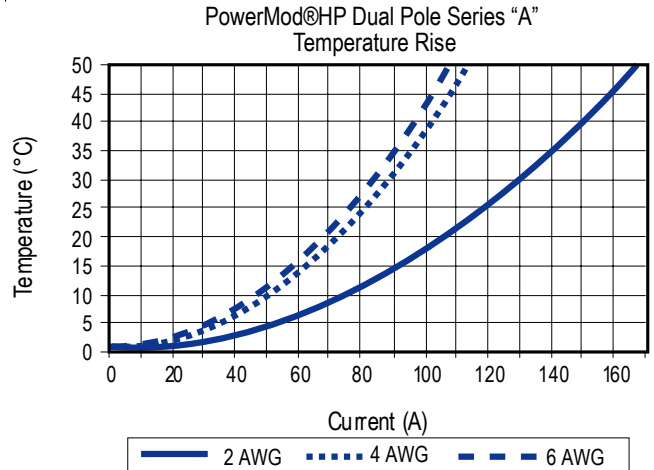
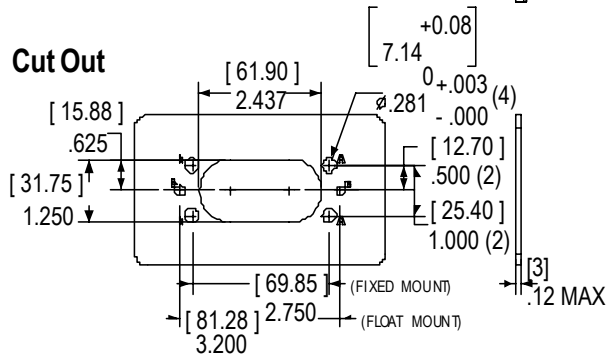
### Front



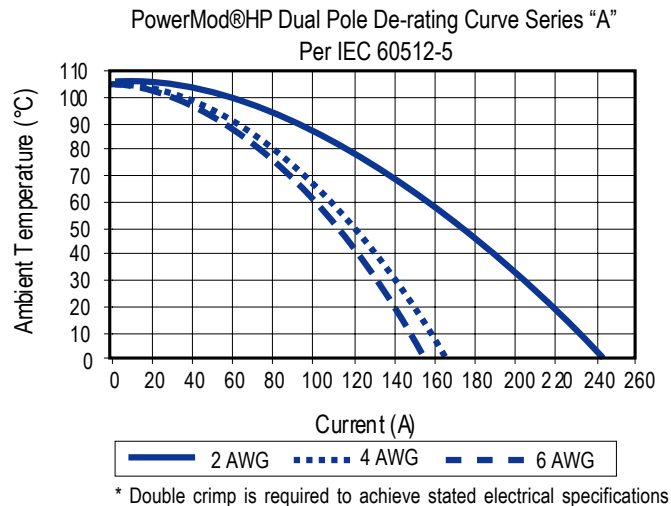
### Top



### Cut Out



\* Double crimp is required to achieve stated electrical specifications



\* Double crimp is required to achieve stated electrical specifications

## MATING CONNECTORS

### Dual Pole Panel Mount Blind Mate Male

