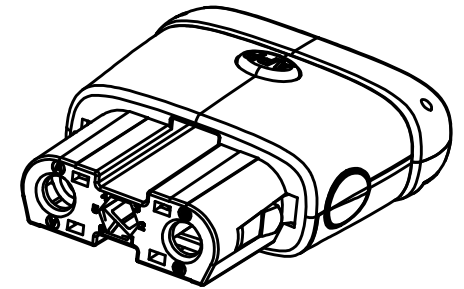


THE INFORMATION CONTAINED IN THIS DRAWING IS THE SOLE PROPERTY OF ANDERSON POWER PRODUCTS. ANY REPRODUCTION IN PART OR WHOLE WITHOUT THE WRITTEN PERMISSION OF ANDERSON POWER PRODUCTS IS PROHIBITED.

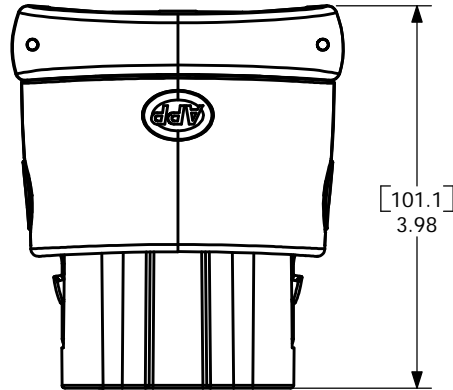
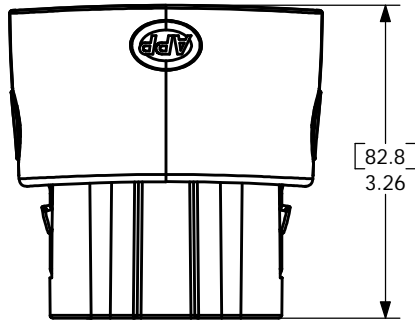
Copyright 2005

ANDERSON POWER PRODUCTS RESERVES THE RIGHT TO ALTER PRODUCT TYPES, THEIR TECHNICAL DATA, DIMENSION, STYLE AND ACCESSORIES WITHOUT PRIOR NOTIFICATION.

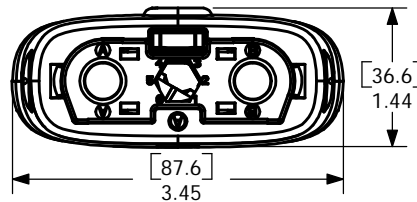
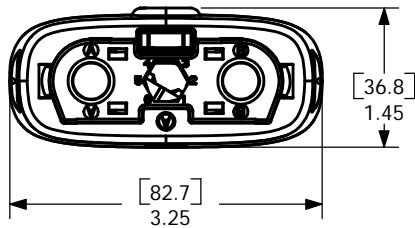
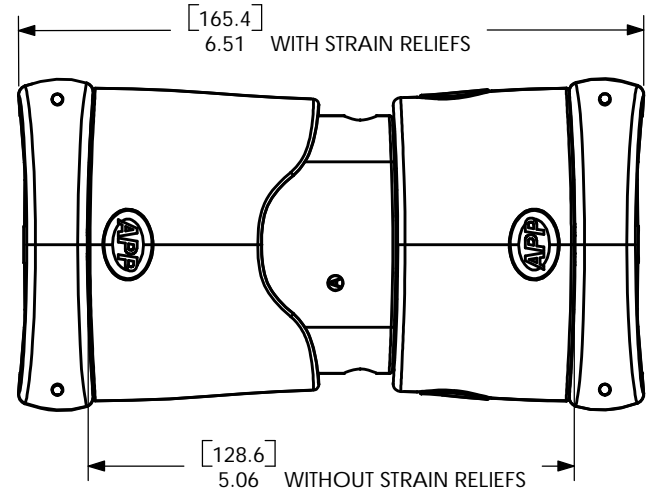
WITH OPTIONAL STRAIN RELIEF



WITHOUT STRAIN RELIEF



MATED LENGTH



NOTES:

- POWERMOD HP B CRIMP CONTACTS AVAILABLE FOR:
4/0, 95 SQ mm, 2/0-70 SQ mm, AND 1/0-50 SQ mm WIRE.
- MATERIALS:
HOUSING MATERIAL: POLYESTER
CONTACTS: COPPER ALLOY, SILVER PLATE
REFER TO THE DATA SHEET FOR COMPLETE SPECIFICATIONS.

DIMENSIONS ARE IN: INCH[MM]		APPROVALS		ANDERSON POWER PRODUCTS		
UNLESS OTHERWISE STATED		DRAWN	CMS	7/22/05	TITLE PMHP B DUAL POLE FEMALE STRAIGHT CONNECTOR	
TOLERANCES:		CHECKED	DJD	8/16/05		
DECIMALS (INCH)	DECIMALS (MM)	ANGLES	MFG APP	CHB		8/17/05
.XX ±.02	.X ±.5	±*	QC APP	JA		8/18/05
SURFACE FINISH:		ENG APP	DAM	8/18/05		SIZE A/A4
MACHINED	128 [3.2] ✓	MATERIAL: SEE NOTES		DWG NO.	114616S1	
MOLDED	64 [1.6] ✓	FINISH:		SCALE	NONE	
* CAD GENERATED DRAWING - DO NOT MANUALLY UPDATE DO NOT SCALE		***		CADFILE	02402	
*****		DATE		SHEET	1 OF 2	

REV.	DESCRIPTION OF CHANGES	APPROVED	DATE
8			
7			
6			
5			

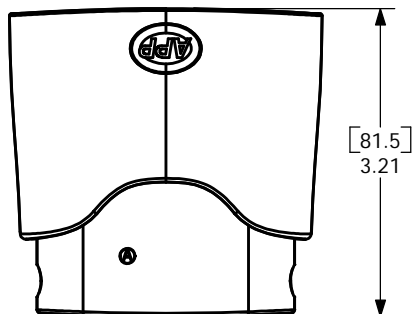


THE INFORMATION CONTAINED IN THIS DRAWING IS THE SOLE PROPERTY OF ANDERSON POWER PRODUCTS. ANY REPRODUCTION IN PART OR WHOLE WITHOUT THE WRITTEN PERMISSION OF ANDERSON POWER PRODUCTS IS PROHIBITED.

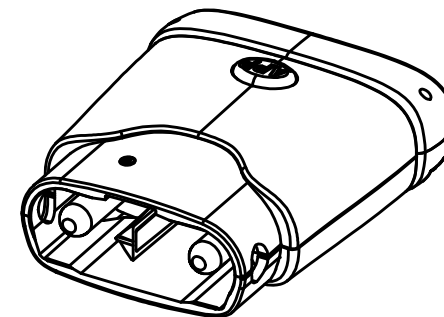
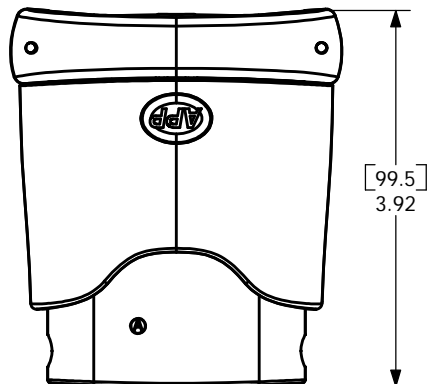
Copyright 2005

ANDERSON POWER PRODUCTS RESERVES THE RIGHT TO ALTER PRODUCT TYPES, THEIR TECHNICAL DATA, DIMENSION, STYLE AND ACCESSORIES WITHOUT PRIOR NOTIFICATION.

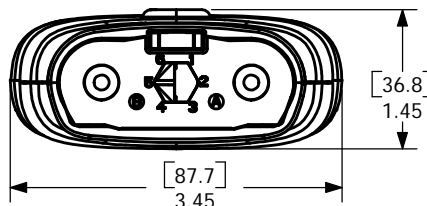
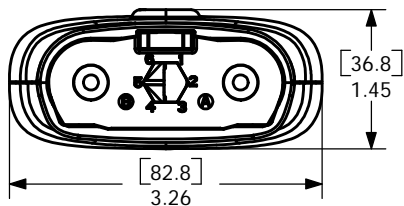
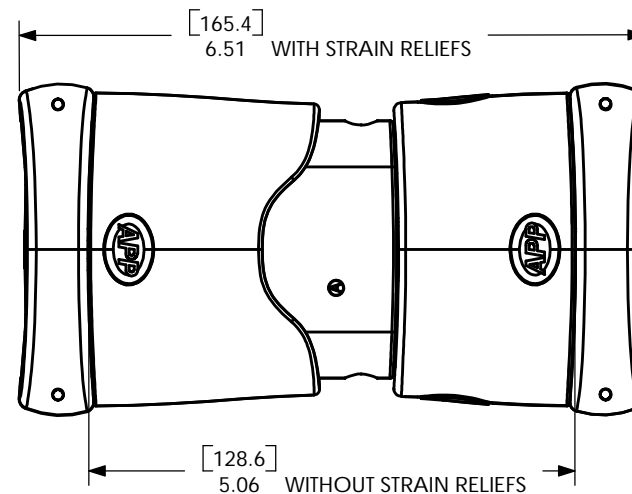
WITHOUT STRAIN RELIEF



WITH OPTIONAL STRAIN RELIEF



MATED LENGTH



NOTES:
 1. POWERMOD HP B CRIMP CONTACTS AVAILABLE FOR:
 4/0, 95 SQ mm, 2/0-70 SQ mm, AND 1/0-50 SQ mm WIRE.
 2. MATERIALS:
 HOUSING MATERIAL: POLYESTER
 CONTACTS: COPPER ALLOY, SILVER PLATE
 REFER TO THE DATA SHEET FOR COMPLETE SPECIFICATIONS.

DIMENSIONS ARE IN:		INCH[MM]	APPROVALS		ANDERSON POWER PRODUCTS	
UNLESS OTHERWISE STATED			DRAWN	CMS	7/22/05	TITLE PMHP B DUAL POLE MALE STRAIGHT CONNECTOR
TOLERANCES:			CHECKED	DJD	8/16/05	
DECIMALS (INCH)	DECIMALS (MM)	ANGLES	MFG APP	CHB	8/17/05	
.XX ± 0.2	.X ± .5	± 2°	QC APP	JA	8/18/05	
SURFACE FINISH:			ENG APP	DAM	8/18/05	SIZE A/A4
MACHINED		128 [3.2]	MATERIAL: SEE NOTES		DWG NO.	114616S1
MOLDED		64 [1.6]	FINISH:		SCALE	NONE
* REV.		DESCRIPTION OF CHANGES	APPROVED	DATE	CADFILE	02402
*****			*****		SHEET	2 OF 2



-CAD GENERATED DRAWING-
DO NOT MANUALLY UPDATE
DO NOT SCALE