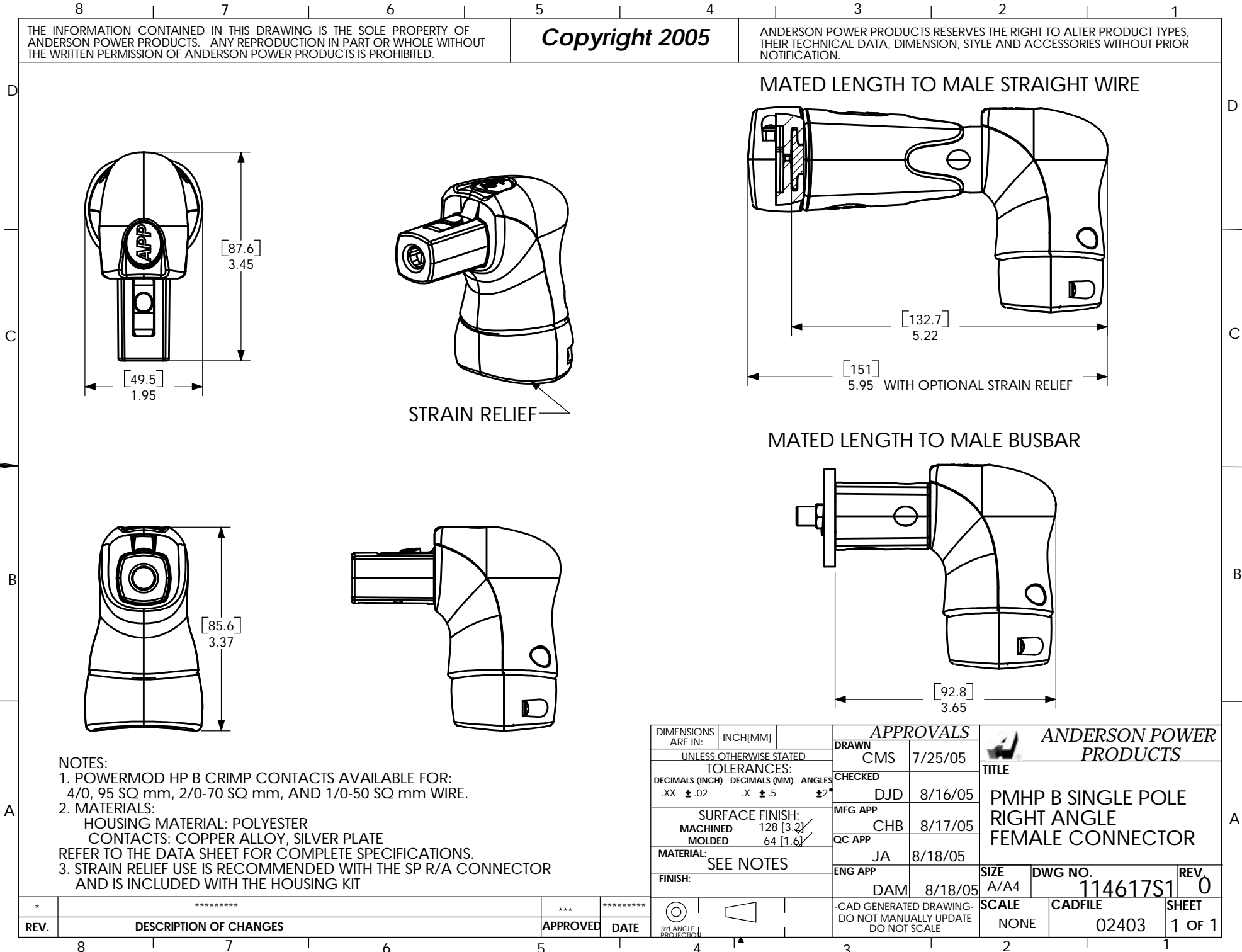


THE INFORMATION CONTAINED IN THIS DRAWING IS THE SOLE PROPERTY OF ANDERSON POWER PRODUCTS. ANY REPRODUCTION IN PART OR WHOLE WITHOUT THE WRITTEN PERMISSION OF ANDERSON POWER PRODUCTS IS PROHIBITED.

Copyright 2005

ANDERSON POWER PRODUCTS RESERVES THE RIGHT TO ALTER PRODUCT TYPES, THEIR TECHNICAL DATA, DIMENSION, STYLE AND ACCESSORIES WITHOUT PRIOR NOTIFICATION.



NOTES:

1. POWERMOD HP B CRIMP CONTACTS AVAILABLE FOR:
4/0, 95 SQ mm, 2/0-70 SQ mm, AND 1/0-50 SQ mm WIRE.
2. MATERIALS:
HOUSING MATERIAL: POLYESTER
CONTACTS: COPPER ALLOY, SILVER PLATE
REFER TO THE DATA SHEET FOR COMPLETE SPECIFICATIONS.
3. STRAIN RELIEF USE IS RECOMMENDED WITH THE SP R/A CONNECTOR AND IS INCLUDED WITH THE HOUSING KIT

DIMENSIONS ARE IN: INCH[MM]		APPROVALS		ANDERSON POWER PRODUCTS		
UNLESS OTHERWISE STATED		DRAWN	CMS	7/25/05	TITLE PMHP B SINGLE POLE RIGHT ANGLE FEMALE CONNECTOR	
TOLERANCES:		CHECKED	DJD	8/16/05		
DECIMALS (INCH)	DECIMALS (MM)	ANGLES	MFG APP	CHB		8/17/05
.XX ±.02	.X ±.5	±2°	QC APP	JA		8/18/05
SURFACE FINISH:		ENG APP	JAM	8/18/05	SIZE A/A4	
MACHINED	128 [3.2]	MATERIAL: SEE NOTES		DWG NO. 114617S1		
MOLDED	64 [1.6]	FINISH:		REV. 0		
* CAD GENERATED DRAWING - DO NOT MANUALLY UPDATE DO NOT SCALE		SCALE NONE		SHEET 1 OF 1		

REV.	DESCRIPTION OF CHANGES	APPROVED	DATE
------	------------------------	----------	------