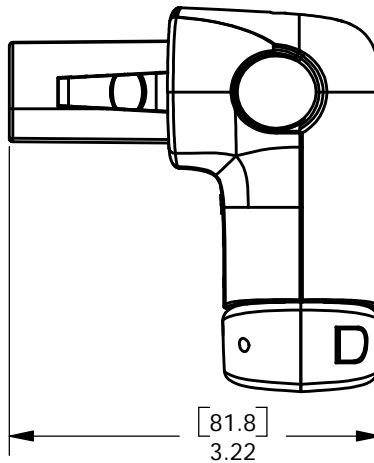
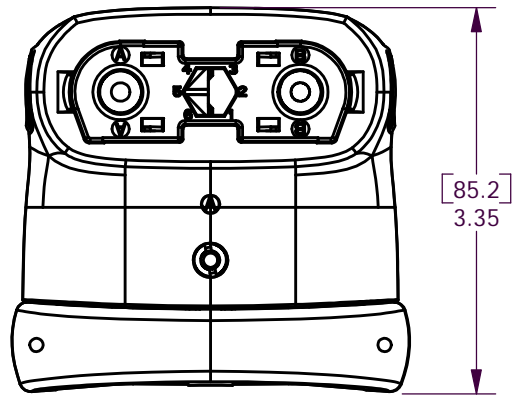
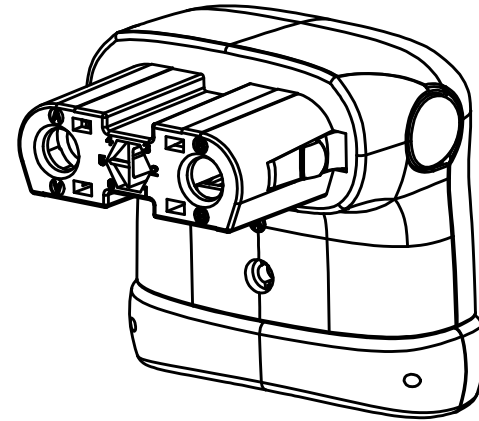
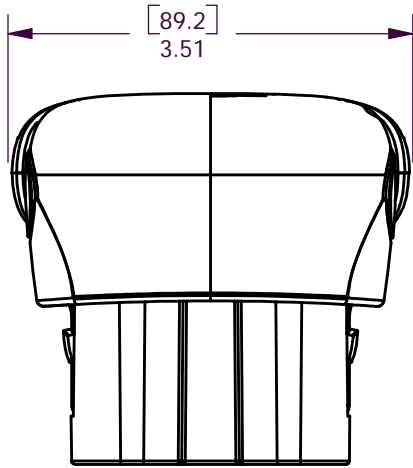


THE INFORMATION CONTAINED IN THIS DRAWING IS THE SOLE PROPERTY OF ANDERSON POWER PRODUCTS. ANY REPRODUCTION IN PART OR WHOLE WITHOUT THE WRITTEN PERMISSION OF ANDERSON POWER PRODUCTS IS PROHIBITED.

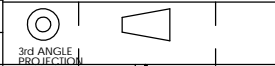
Copyright 2005

ANDERSON POWER PRODUCTS RESERVES THE RIGHT TO ALTER PRODUCT TYPES, THEIR TECHNICAL DATA, DIMENSION, STYLE AND ACCESSORIES WITHOUT PRIOR NOTIFICATION.



DIMENSIONS ARE IN:		INCH[MM]		APPROVALS		ANDERSON POWER PRODUCTS	
UNLESS OTHERWISE STATED				DRAWN		TITLE	
TOLERANCES:				CMS		7/27/05	
DECIMALS (INCH) DECIMALS (MM) ANGLES				CHECKED		DJD	
.XX ±.02 .X ±.5 ±2°				MFG APP		8/16/05	
SURFACE FINISH:				CHB		8/17/05	
MACHINED 128 [3.2]				QC APP		JA	
MOLDED 64 [1.6]				ENG APP		8/18/05	
MATERIAL: SEE NOTES				DAM		8/18/05	
FINISH:				SIZE		DWG NO.	
				A/A4		114618S1	
				SCALE		SHEET	
				NONE		02404	
				-CAD GENERATED DRAWING- DO NOT MANUALLY UPDATE DO NOT SCALE		REV. 0	
				CADFILE		1 OF 2	
				02404			

REV.	DESCRIPTION OF CHANGES	APPROVED	DATE
8			
7			
6			
5			
4			
3			
2			
1			

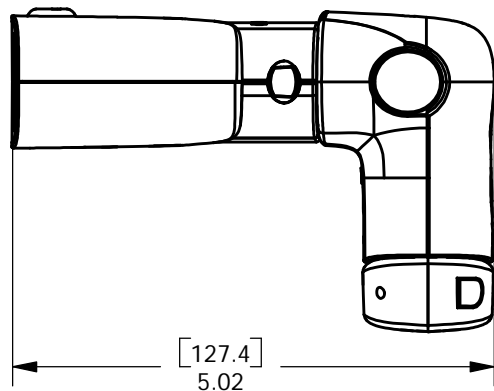


THE INFORMATION CONTAINED IN THIS DRAWING IS THE SOLE PROPERTY OF ANDERSON POWER PRODUCTS. ANY REPRODUCTION IN PART OR WHOLE WITHOUT THE WRITTEN PERMISSION OF ANDERSON POWER PRODUCTS IS PROHIBITED.

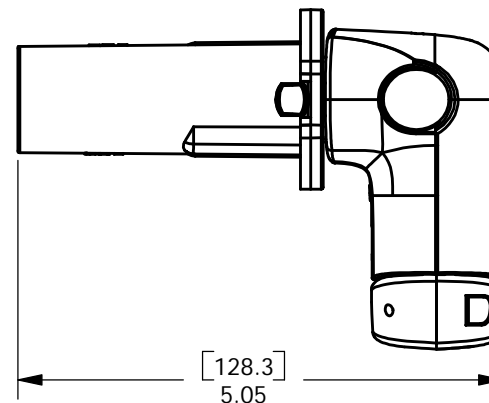
Copyright 2005

ANDERSON POWER PRODUCTS RESERVES THE RIGHT TO ALTER PRODUCT TYPES, THEIR TECHNICAL DATA, DIMENSION, STYLE AND ACCESSORIES WITHOUT PRIOR NOTIFICATION.

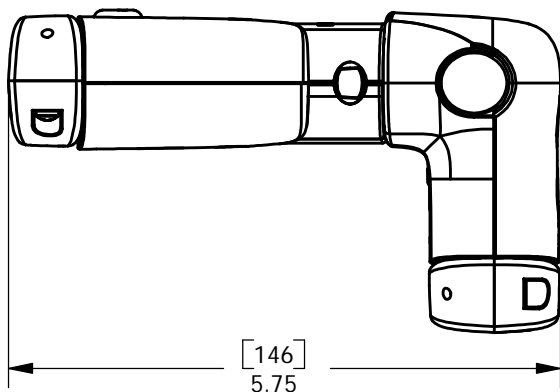
MATED LENGTH TO DP STRAIGHT MALE WITHOUT STRAIN RELIEF



MATED LENGTH TO DP PANEL MOUNT MALE CONNECTOR



MATED LENGTH TO DP STRAIGHT MALE WITH STRAIN RELIEF



NOTES:

1. POWERMOD HP B CRIMP CONTACTS AVAILABLE FOR:
4/0, 95 SQ mm, 2/0-70 SQ mm, AND 1/0-50 SQ mm WIRE.
2. MATERIALS:
HOUSING MATERIAL: POLYESTER
CONTACTS: COPPER ALLOY, SILVER PLATE
REFER TO THE DATA SHEET FOR COMPLETE SPECIFICATIONS.
3. CABLE CLAMP USE IS RECOMMENDED WITH THE SP R/A CONNECTOR AND IS INCLUDED WITH THE HOUSING KIT

DIMENSIONS ARE IN:	INCH[MM]	APPROVALS			ANDERSON POWER PRODUCTS			
UNLESS OTHERWISE STATED		DRAWN	CMS		7/27/05	TITLE		
TOLERANCES:		CHECKED	DJD	8/16/05	PMHP B DUAL POLE RIGHT ANGLE FEMALE CONNECTOR			
DECIMALS (INCH)	DECIMALS (MM)	ANGLES	MFG APP	CHB			8/17/05	
.XX ±.02	.X ±.5	±2°	QC APP	JA			8/18/05	
SURFACE FINISH:		MATERIAL:	ENG APP	DAM	8/18/05	SIZE	DWG NO.	REV.
MACHINED	128 [3.2]	SEE NOTES				A/A4	114618S1	0
MOLDED	64 [1.6]					SCALE	CADFILE	SHEET
FINISH:			-CAD GENERATED DRAWING- DO NOT MANUALLY UPDATE DO NOT SCALE		NONE	02404	2 OF 2	

REV.	DESCRIPTION OF CHANGES	APPROVED	DATE
8			

