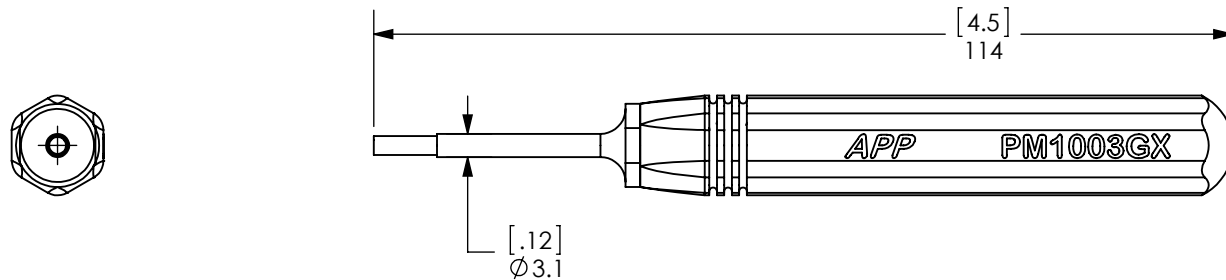
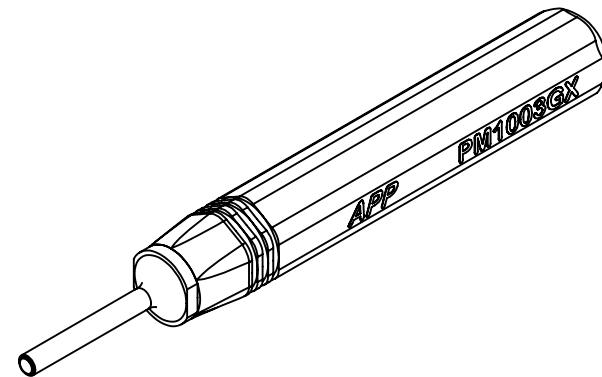


THE INFORMATION CONTAINED IN THIS DRAWING IS THE SOLE PROPERTY OF ANDERSON POWER PRODUCTS. ANY REPRODUCTION IN PART OR WHOLE WITHOUT THE WRITTEN PERMISSION OF ANDERSON POWER PRODUCTS IS PROHIBITED.

Copyright 2015

ANDERSON POWER PRODUCTS RESERVES THE RIGHT TO ALTER PRODUCT TYPES, THEIR TECHNICAL DATA, DIMENSION, STYLE AND ACCESSORIES WITHOUT PRIOR NOTIFICATION.



- NOTES:**
- REFER TO 1S6640 FOR USER INSTRUCTIONS
 - MATERIALS:**
 - HANDLE- ALUMINUM
 - MANDREL/TUBE - STAINLESS STEEL

DIMENSIONS ARE IN:	MM [INCH]	APPROVALS		<p>ANDERSON POWER PRODUCTS</p> <p>TITLE</p> <p>CAT. NO. PM1003GX: POWERMOD CONTACT INSERTION PROOF TOOL</p>
UNLESS OTHERWISE STATED		DRAWN		
TOLERANCES:		CHECKED		
DECIMALS (INCH)	DECIMALS (MM)	ANGLES		
.XX ±.02	.X ±.5	±2°		
SURFACE FINISH:		MFG APPRV		
MACHINED	3.2µ [128µin]	CHB	3/13/2015	
MOLDED	1.6µ [64µin]	QC APPRV		
MATERIAL:		ASF	3/16/2015	
SEE NOTES		ENG APPRV		
FINISH:		CLY	3/16/2015	
		SIZE	DWG NO.	REV.
		A	115432S1	0
		SCALE	CADFILE	SHEET
		NONE	04474	1 OF 1

REV.	DESCRIPTION	APPRV	DATE
REVISIONS			