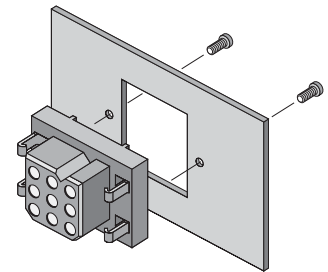
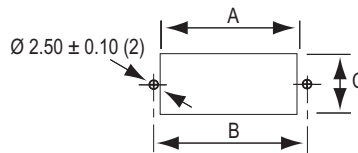


Anderson Power Products PowerMod® series offers multiple mounting options ranging from no mounting hardware, to snap in brackets, to self tapping screws, as well as clam shell housings. This application note details all 13 sizes, configurations and accessories available.



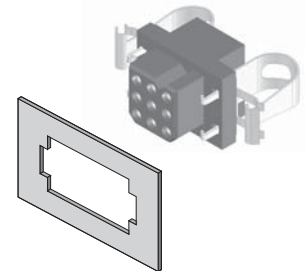
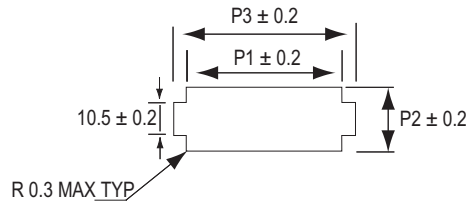
SCREW MOUNTING - mm(in.)

| Connector | -A- | -B- | -C- |
|-----------|---------------|---------------|---------------|
| 1-03 | 16.10 (0.634) | 22.30 (0.878) | 11.00 (0.433) |
| 1-04 | 21.10 (0.831) | 27.30 (1.075) | 11.00 (0.433) |
| 1-06 | 31.10 (1.244) | 37.30 (1.469) | 11.00 (0.433) |
| 1-08 | 41.10 (1.618) | 47.30 (1.862) | 11.00 (0.433) |
| 2-06 | 16.10 (0.634) | 22.30 (0.878) | 16.00 (0.630) |
| 2-08 | 21.10 (0.831) | 27.30 (1.075) | 16.00 (0.630) |
| 2-12 | 31.10 (1.244) | 37.30 (1.469) | 16.00 (0.630) |
| 2-16 | 41.10 (1.618) | 47.30 (1.862) | 16.00 (0.630) |
| 3-09 | 16.10 (0.634) | 22.30 (0.878) | 21.00 (0.827) |
| 3-12 | 21.10 (0.831) | 27.30 (1.075) | 21.00 (0.827) |
| 3-18 | 31.10 (1.244) | 37.30 (1.469) | 21.00 (0.827) |
| 3-24 | 41.10 (1.618) | 47.30 (1.862) | 21.00 (0.827) |
| 3-30 | 51.10 (2.012) | 57.30 (2.256) | 21.00 (0.827) |



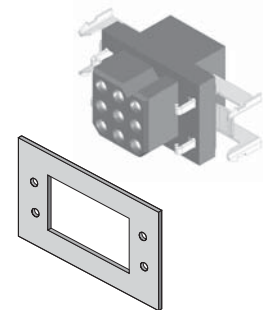
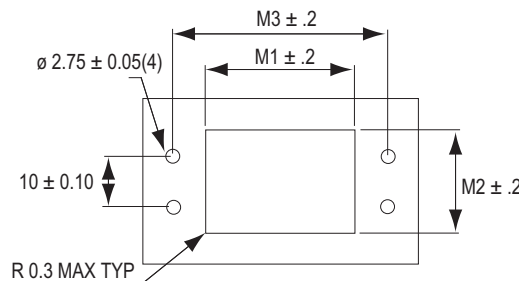
PANEL CLIP CUT-OUT - mm(in.)

| Connector | -P1- | -P2- | -P3- |
|-----------|-------------|-------------|-------------|
| 1-03 | 29.7 (1.17) | 10.8 (0.43) | 40.7 (1.60) |
| 1-04 | 34.7 (1.37) | 10.8 (0.43) | 45.7 (1.80) |
| 1-06 | 44.7 (1.76) | 10.8 (0.43) | 55.7 (2.19) |
| 1-08 | 54.7 (2.15) | 10.8 (0.43) | 65.7 (2.59) |
| 2-06 | 29.7 (1.17) | 15.8 (0.62) | 40.7 (1.60) |
| 2-08 | 34.7 (1.37) | 15.8 (0.62) | 45.7 (1.80) |
| 2-12 | 44.7 (1.76) | 15.8 (0.62) | 55.7 (2.19) |
| 2-16 | 54.7 (2.15) | 15.8 (0.62) | 65.7 (2.59) |
| 3-09 | 29.7 (1.17) | 20.8 (0.82) | 40.7 (1.60) |
| 3-12 | 34.7 (1.37) | 20.8 (0.82) | 45.7 (1.80) |
| 3-18 | 44.7 (1.76) | 20.8 (0.82) | 55.7 (2.19) |
| 3-24 | 54.7 (2.15) | 20.8 (0.82) | 65.7 (2.59) |
| 3-30 | 64.7 (2.55) | 20.8 (0.82) | 75.7 (2.98) |



MOUNTING CLIP CUT-OUT - mm(in.)

| Connector | -M1- | -M2- | -M3- |
|-----------|-------------|-------------|-------------|
| 1-03 | 29.5 (1.16) | 10.5 (0.41) | 42.5 (1.67) |
| 1-04 | 34.5 (1.36) | 10.5 (0.41) | 47.5 (1.87) |
| 1-06 | 44.5 (1.75) | 10.5 (0.41) | 57.5 (2.26) |
| 1-08 | 54.5 (2.15) | 10.5 (0.41) | 67.5 (2.66) |
| 2-06 | 29.5 (1.16) | 15.5 (0.61) | 42.5 (1.67) |
| 2-08 | 34.5 (1.36) | 15.5 (0.61) | 47.5 (1.87) |
| 2-12 | 44.5 (1.75) | 15.5 (0.61) | 57.5 (2.26) |
| 2-16 | 54.5 (2.15) | 15.5 (0.61) | 67.5 (2.66) |
| 3-09 | 29.5 (1.16) | 20.5 (0.81) | 42.5 (1.67) |
| 3-12 | 34.5 (1.36) | 20.5 (0.81) | 47.5 (1.87) |
| 3-18 | 44.5 (1.75) | 20.5 (0.81) | 57.5 (2.26) |
| 3-24 | 54.5 (2.15) | 20.5 (0.81) | 67.5 (2.66) |
| 3-30 | 64.5 (2.54) | 20.5 (0.81) | 77.5 (3.05) |



HEADQUARTERS: Anderson Power Products®, 13 Pratts Junction Road, Sterling, MA 01564-2305 USA T:978-422-3600 F:978-422-3700

EUROPE: Anderson Power Products® Ltd., Unit 3, Europa Court, Europa Boulevard, Westbrook, Warrington, Cheshire, WA5 7TN United Kingdom T: +44 (0) 1925 428390 F: +44 (0) 1925 428399

ASIA/ PACIFIC: IDEAL AndersonAsia Pacific Ltd., Unit 922-928 Topsail Plaza, 11 On Sum Street, Shatin N.T., Hong Kong T: +(852) 2636 0836 F: +(852) 2635 9036

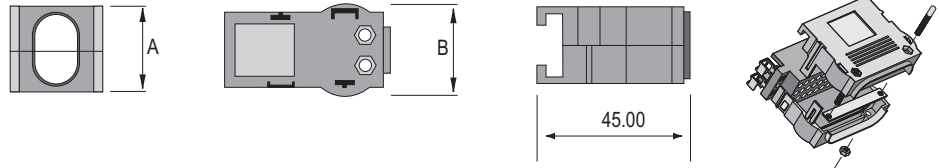
CHINA: IDEAL Anderson Technologies (Shenzhen) Ltd., Block A8 Tantou Western Industrial Park, Songgang Baoan District, Shenzhen, PR. China 518105 T: +(86) 755 2768 2118 F: +(86) 755 2768 2218

TAIWAN: IDEAL Anderson Asia Pacific Ltd., Taiwan Branch, 4F.-2, No.116, Dadun 20th St., Situn District, Taichung City 407, Taiwan (R.O.C.) T: +(886) 4 2310 6451 F: +(886) 4 2310 6460

www.andersonpower.com

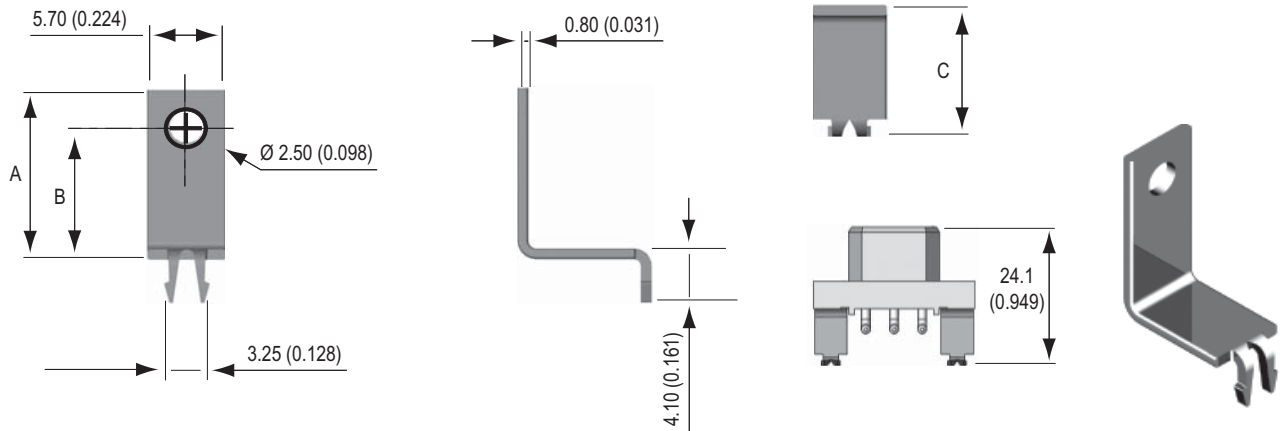
CLAM SHELL HOOD - mm(in.)

| Hood | -A- | -B- |
|------|---------------|---------------|
| 1-03 | 16.00 (0.630) | 24.00 (0.945) |
| 1-04 | 16.00 (0.630) | 29.00 (1.142) |
| 1-06 | 16.00 (0.630) | 39.00 (1.535) |
| 1-08 | 16.00 (0.630) | 49.00 (1.929) |
| 2-06 | 21.00 (0.827) | 24.00 (0.945) |
| 2-08 | 21.00 (0.827) | 29.00 (1.142) |
| 2-12 | 21.00 (0.827) | 39.00 (1.535) |
| 2-16 | 21.00 (0.827) | 49.00 (1.929) |
| 3-09 | 26.00 (1.023) | 24.00 (0.945) |
| 3-12 | 26.00 (1.023) | 29.00 (1.142) |
| 3-18 | 26.00 (1.023) | 39.00 (1.535) |
| 3-24 | 26.00 (1.023) | 49.00 (1.929) |
| 3-30 | 26.00 (1.023) | 59.00 (2.323) |



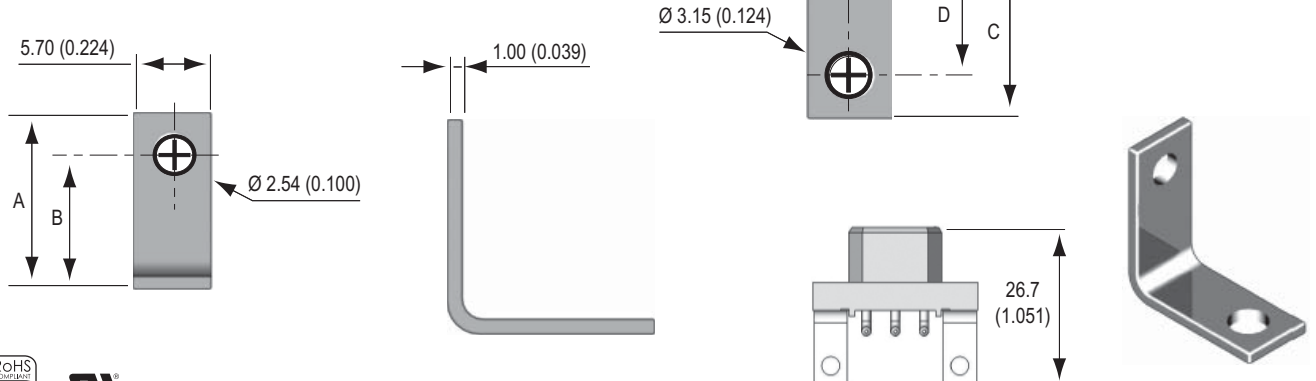
SNAP-IN BRACKET - mm(in.)

| | -A- | -B- | -C- |
|--------|---------------|---------------|--------------|
| 1 Row | 8.00 (0.315) | 6.20 (0.244) | 9.93 (0.391) |
| 2 Rows | 10.50 (0.413) | 7.70 (0.303) | 9.93 (0.391) |
| 3 Rows | 12.00 (0.472) | 10.20 (0.402) | 9.93 (0.391) |



ROUND HOLE BRACKET - mm(in.)

| | -A- | -B- | -C- | -D- |
|--------|---------------|---------------|--------------|--------------|
| 1 Row | 8.00 (0.315) | 6.20 (0.244) | 12.5 (0.492) | 9.53 (0.375) |
| 2 Rows | 10.50 (0.413) | 7.70 (0.303) | 12.5 (0.492) | 9.53 (0.375) |
| 3 Rows | 12.00 (0.472) | 10.20 (0.402) | 12.5 (0.492) | 9.53 (0.375) |



File No. E26226

All Data Subject To Change Without Notice

DS-PMACC REV06

HEADQUARTERS: Anderson Power Products®, 13 Pratts Junction Road, Sterling, MA 01564-2305 USA T:978-422-3600 F:978-422-3700

EUROPE: Anderson Power Products® Ltd., Unit 3, Europa Court, Europa Boulevard, Westbrook, Warrington, Cheshire, WA5 7TN United Kingdom T: +44 (0) 1925 428390 F: +44 (0) 1925 428399

ASIA / PACIFIC: IDEALAnderson Asia Pacific Ltd., Unit 922-928 Topsail Plaza, 11 On Sum Street, Shatin N.T., Hong Kong T: +(852) 2636 0836 F: +(852) 2635 9036

CHINA: IDEAL Anderson Technologies (Shenzhen) Ltd., Block A8 Tantou Western Industrial Park, Songgang Baoan District, Shenzhen, P.R. China 518105 T: +(86) 755 2768 2118 F: +(86) 755 2768 2218

TAIWAN: IDEALAnderson Asia Pacific Ltd., Taiwan Branch, 4F.-2, No.116, Dadun 20th St., Situn District, Taichung City 407, Taiwan (R.O.C.) T: +(886) 4 2310 6451 F: +(886) 4 2310 6460

www.andersonpower.com