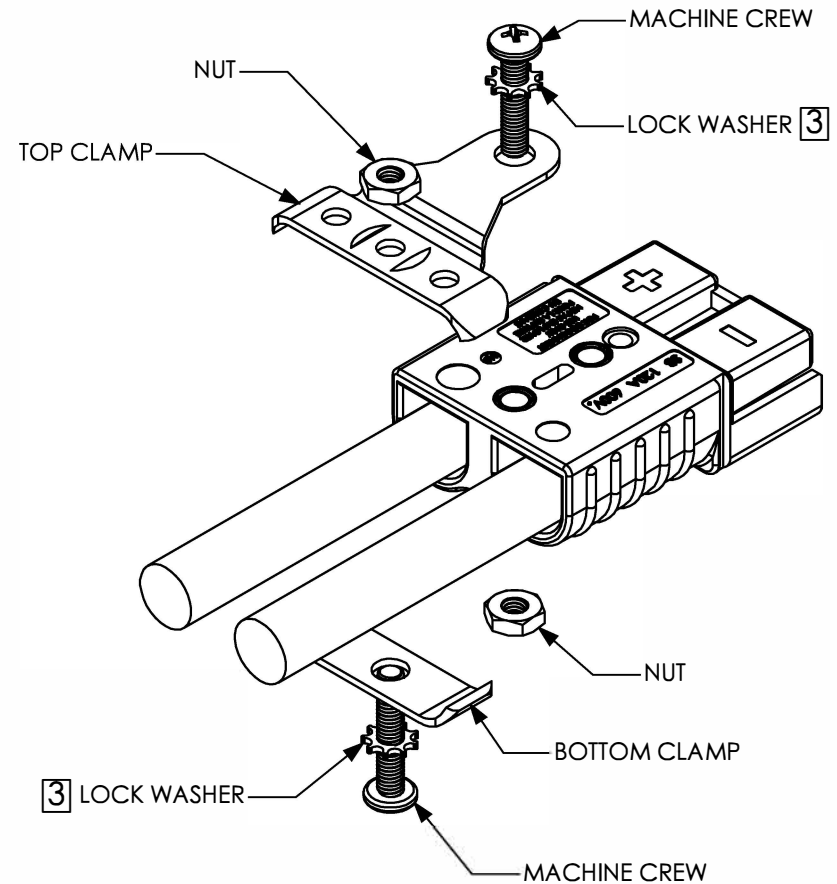
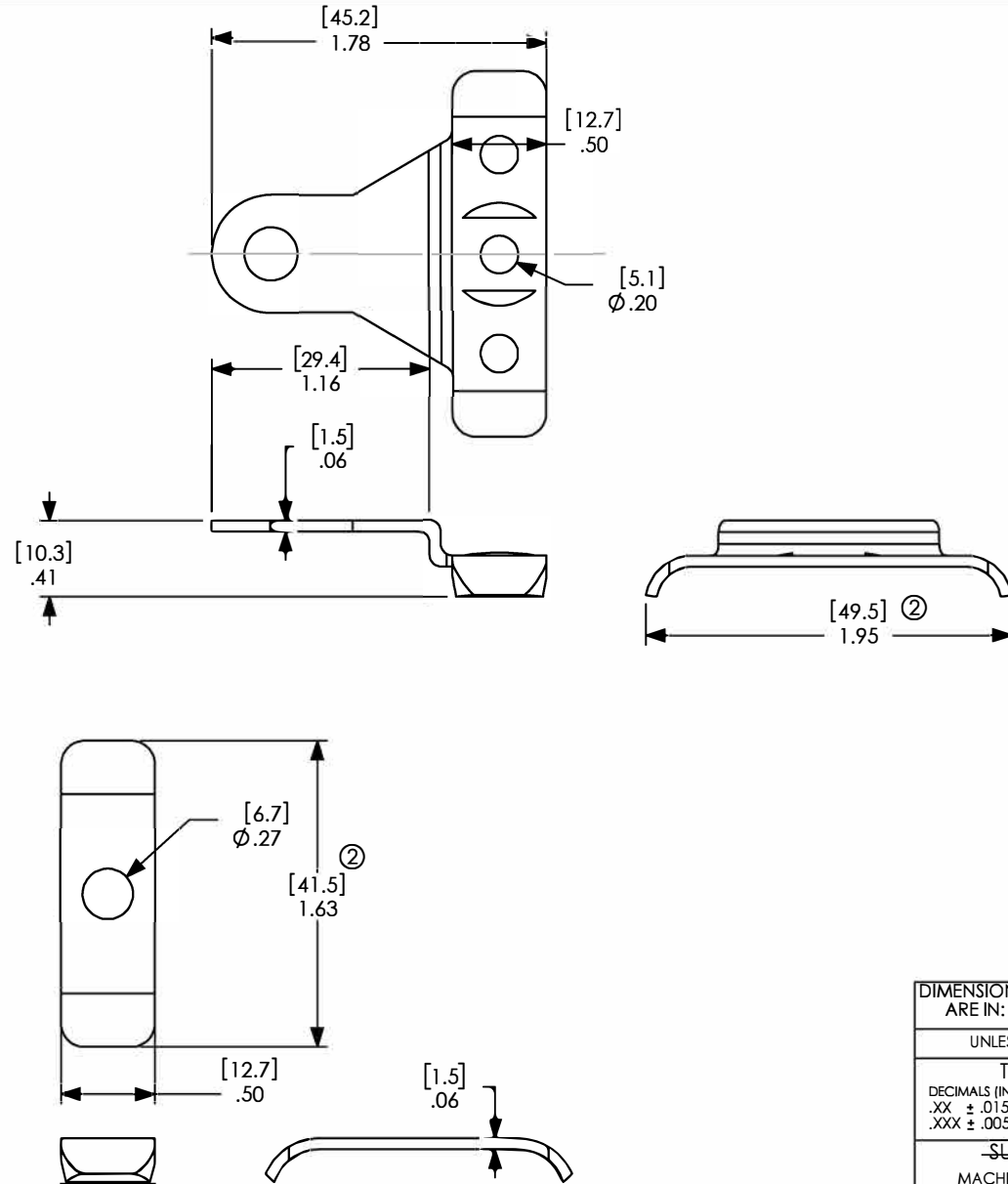


THE INFORMATION CONTAINED IN THIS DRAWING IS THE SOLE PROPERTY OF ANDERSON POWER PRODUCTS. ANY REPRODUCTION IN PART OR WHOLE WITHOUT THE WRITTEN PERMISSION OF ANDERSON POWER PRODUCTS IS PROHIBITED.

Copyright 2023

ANDERSON POWER PRODUCTS RESERVES THE RIGHT TO ALTER PRODUCT TYPES, THEIR TECHNICAL DATA, DIMENSION, STYLE AND ACCESSORIES WITHOUT PRIOR NOTIFICATION.



DIMENSIONS ARE IN:		INCH [MM]		APPROVALS		ANDERSONPOWER™	
UNLESS OTHERWISE STATED							
TOLERANCES:				DRAWN		TITLE	
DECIMALS (INCH)		DECIMALS (MM)		CMS			
.XX ± .015		.X ± .38		CHECKED		CABLE CLAMP FOR TWO	
.XXX ± .005		.XX ± .13		DJD		SINGLE COND. CABLES	
SURFACE FINISH:				MFG APPRV		COA	
MACHINED		128µin [3.2µ] ✓		DAM		PROD. LINE	
MOLDED		64µin [1.6µ] ✓		QC APPRV		RPO	
MATERIAL:				ENG APPRV		SCALE	
SEE NOTES				MAW		DWG NO.	
FINISH:				11/18/2002		114414S1	
SEE NOTES				-CAD GENERATED DRAWING- DO NOT MANUALLY UPDATE DO NOT SCALE		SHEET	
3rd ANGLE PROJECTION				1:1		01672	
						1 OF 1	

3	ECN 2024-0002 - UPDATED LOCK WASHER GEOM.	CPD	1/3/2023
2	ECRN 14232 - 1.95 WAS 1.86, 1.63 WAS 1.51, TOLERANCE	CMS	9/17/08
1	ECRN 13998	CMS	4/26/02
REV.	DESCRIPTION OF CHANGES	BY	DATE