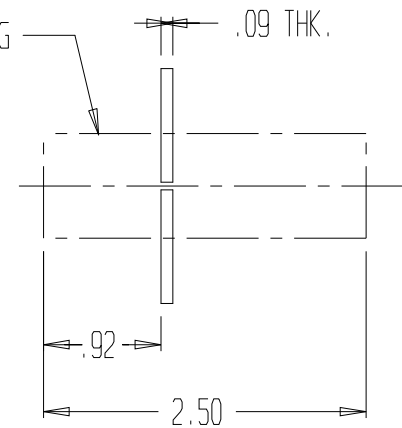


.16 DIA. 4 PLACES

.88 HIGH X 1.88 WIDE PANEL CUTOUT

SB120 HOUSING



CAT. NO. 1467G1

ANDERSON POWER PRODUCTS RESERVES THE RIGHT TO ALTER PRODUCT TYPES AND THEIR TECHNICAL DATA, DIMENSIONS, STYLE AND ACCESSORIES WITHOUT PRIOR NOTIFICATION. UTILIZATION OF THIS DRAWING FOR ANY OTHER PURPOSE OTHER THAN GENERAL INFORMATION IS NOT PERMITTED WITHOUT PRIOR CONSENT.

REVISIONS

MATERIAL SPEC	UNLESS OTHERWISE SPECIFIED
.09 THICK ALUMINUM	TOL: +/- .02
FINISH	
USED ON	
3RD ANGLE PROJECTION	

DRAWN BY DJD 7/9/04	CAD DRAWING NO. 02089	DISC NO.
CHECKED BY	TITLE OUTLINE SB120 PANEL MOUNT CLAMPS	
MFG APP.		
Q.C. APP.		
ENG APP.	Anderson Power Products	DRAWING NO. B01723S3
SCALE: NONE		REV. 0
PROD. LINE		SHEET 1 OF 1