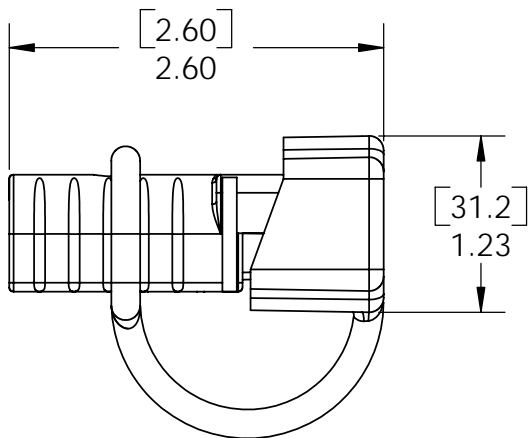
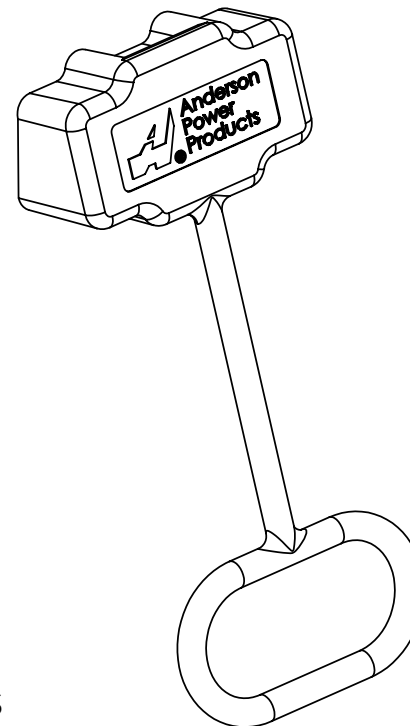
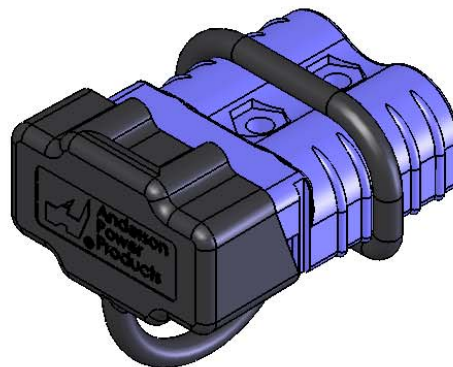
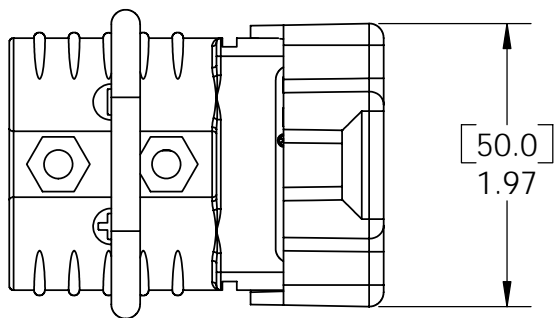


THE INFORMATION CONTAINED IN THIS DRAWING IS THE SOLE PROPERTY OF ANDERSON POWER PRODUCTS. ANY REPRODUCTION IN PART OR WHOLE WITHOUT THE WRITTEN PERMISSION OF ANDERSON POWER PRODUCTS IS PROHIBITED.

Copyright 2005

ANDERSON POWER PRODUCTS RESERVES THE RIGHT TO ALTER PRODUCT TYPES, THEIR TECHNICAL DATA, DIMENSION, STYLE AND ACCESSORIES WITHOUT PRIOR NOTIFICATION.



NOTES:

- CONNECTORS SOLD SEPARATELY
- DUST COVER DOES NOT PROVIDE HERMETIC SEAL
- MAY BE USED WITH CABLE CLAMPS
- CAT. NO. 134G4

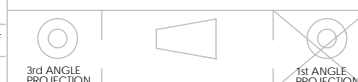
DIMENSIONS ARE IN:	INCH[MM]	MM[INCH]	APPROVALS	
UNLESS OTHERWISE STATED			DRAWN	
TOLERANCES:			AMS	9/26/05
DECIMALS (INCH)	DECIMALS (MM)	ANGLES	CHECKED	
XX ±.02	X ±.5	±2°	DJD	9/27/05
SURFACE FINISH:			MFG APP	
MACHINED	128 [3.2]		CHB	9/27/05
MOLDED	64 [1.6]		QC APP	
MATERIAL: BLACK ELASTOMER			JJA	9/27/05
FINISH: AS MOLDED			ENG APP	
			DAM	9/26/05



ANDERSON POWER PRODUCTS
TITLE
SALES OUTLINE
SB120 DUST COVER
WITH RETAINING STRAP

SIZE: A/A4
 DWG NO.: B02019S1
 REV.: 0

SCALE: NONE
 CADFILE: 02372
 SHEET: 1 OF 1



REV.	DESCRIPTION OF CHANGES	APPROVED	DATE