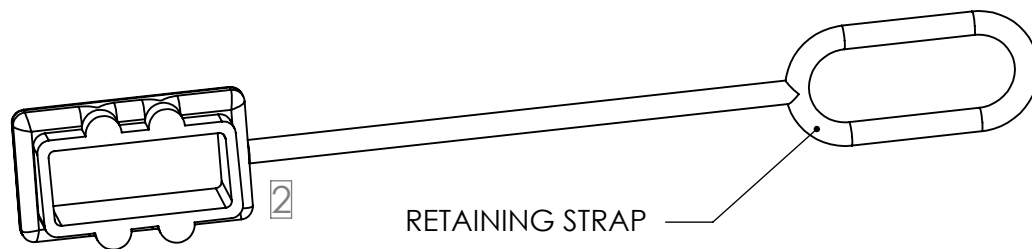
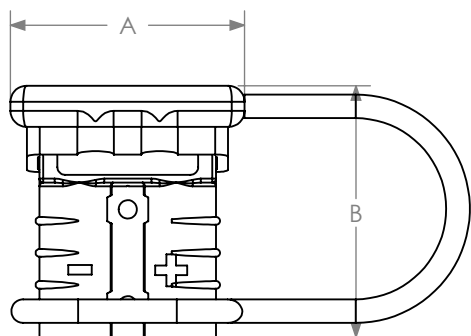


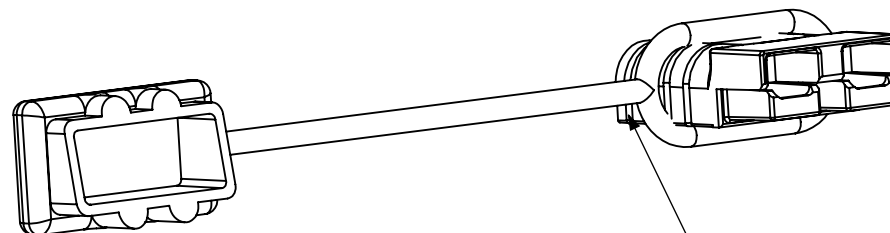
THE INFORMATION CONTAINED IN THIS DRAWING IS THE SOLE PROPERTY OF ANDERSON POWER PRODUCTS. ANY REPRODUCTION IN PART OR WHOLE WITHOUT THE WRITTEN PERMISSION OF ANDERSON POWER PRODUCTS IS PROHIBITED.

Copyright 2012

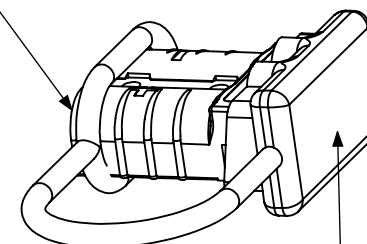
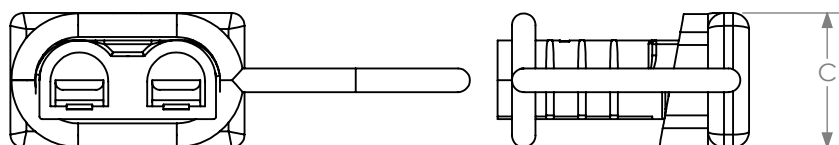
ANDERSON POWER PRODUCTS RESERVES THE RIGHT TO ALTER PRODUCT TYPES, THEIR TECHNICAL DATA, DIMENSION, STYLE AND ACCESSORIES WITHOUT PRIOR NOTIFICATION.



RETAINING STRAP



SLIDE RETAINING STRAP OVER CABLE END



SLIDE COVER OVER MATING END

CAT. NO.	SB SERIES	A		B		C	
		IN	MM	IN	MM	IN	MM
134G1	SB50	1.83	46.5	2.03	51.6	1.10	27.9
134G2	SB175	2.73	69.3	3.40	86.4	1.50	38.1
134G3	SB350	3.47	88.1	4.44	112.8	1.90	48.3

1

NOTES:

1. CONNECTOR SOLD SEPARATELY
2. DUST COVERS DO NOT PROVIDE A HERMETIC SEAL
3. MAY BE USED WITH CABLE CLAMPS

DIMENSIONS ARE IN:	MM [INCH]	APPROVALS		ANDERSON POWER PRODUCTS TITLE DUST COVERS FOR SB CONNECTORS
UNLESS OTHERWISE STATED		DRAWN	11/4/1999	
TOLERANCES:		CHECKED	1/31/2000	
DECIMALS (INCH) DECIMALS (MM) ANGLES		MFG APPR	2/1/2000	
.XX ±.02 .X ±.5 ±2°		CHB	2/1/2000	
SURFACE FINISH:		QC APPR	2/1/2000	
MACHINED 3.2µ [128µin]		RPO	2/1/2000	
MOLDED 1.6µ [64µin]		ENG APPR	2/1/2000	
MATERIAL: ELASTOMER-RED		UFN	2/1/2000	
FINISH: AS MOLDED		SIZE	A	
3rd ANGLE PROJECTION		DWG NO.	114209S1	
		SCALE	NONE	
		CADFILE	01136	
		SHEET	1 OF 1	

2	ECRN-15195	TWE	7/3/2012
1	ECRN-14286 1.10 WAS 2.28	CMS	7/10/08
REV.	DESCRIPTION	APPRV	DATE

REVISIONS