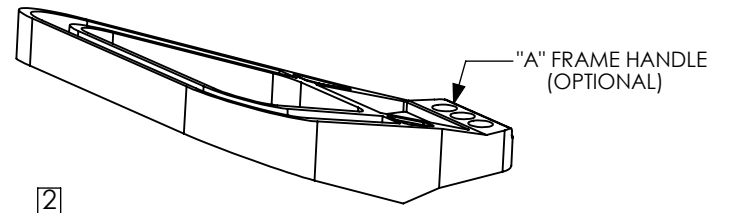
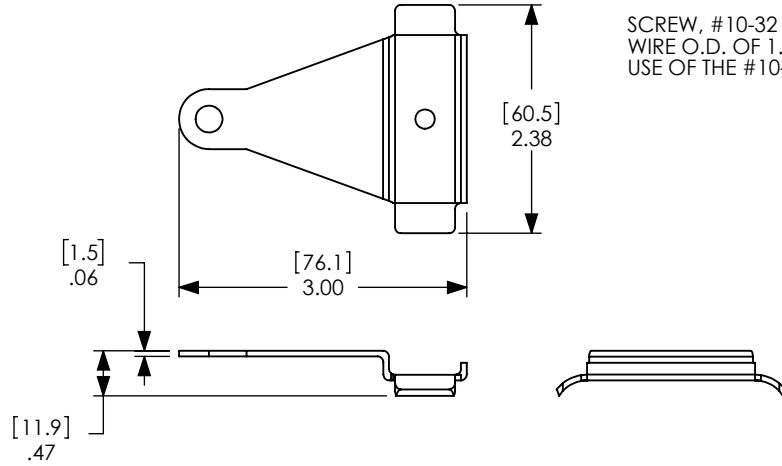
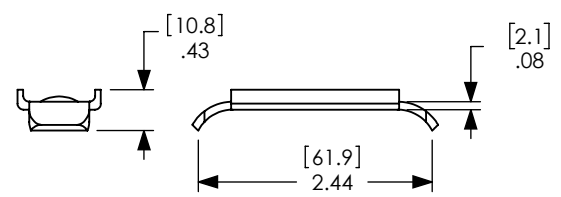
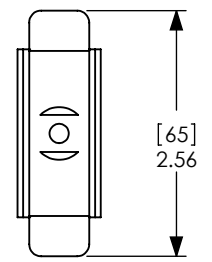
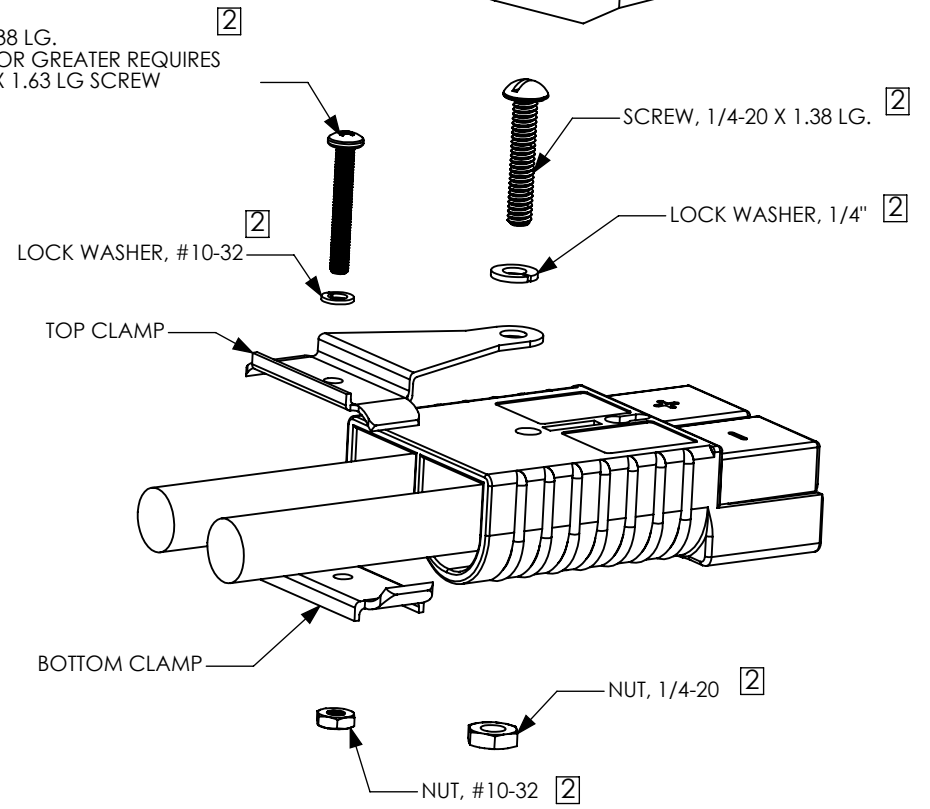


THE INFORMATION CONTAINED IN THIS DRAWING IS THE SOLE PROPERTY OF ANDERSON POWER PRODUCTS. ANY REPRODUCTION IN PART OR WHOLE WITHOUT THE WRITTEN PERMISSION OF ANDERSON POWER PRODUCTS IS PROHIBITED.

DATE	3-8-11	9/27/2021
BY:	TWE	CPD
DESCRIPTION OF CHANGES	ECRN 14849 CLAMP THICKNESS DIMENSION	ECN 2021-0084 - CLAIRED HARDWARE
REV.	1	2



SCREW, #10-32 X 1.38 LG.
WIRE O.D. OF 1.00" OR GREATER REQUIRES USE OF THE #10-32 X 1.63 LG SCREW



NEXT ASSY	USED ON
APPLICATION	

ITEM NO.	PART OR IDENTIFYING NO.	NOMENCLATURE OR DESCRIPTION	MATERIAL SPECIFICATION	QTY REQD
COPYRIGHT 2000 ANDERSON POWER PRODUCTS. ALL RIGHTS RESERVED. UNAUTHORIZED REPRODUCTION HEREBY PROHIBITED.				
DIMENSIONS ARE IN INCHES DIMENSIONS IN PARENTHESES [] ARE IN MILLIMETERS		CAD GENERATED DRAWING, DO NOT MANUALLY UPDATE		
TOLERANCES ARE: 2PL- ±.02 [±.5]		APPROVALS DATE		
MATERIALS: SEE NOTES		DRAWN CMS 2/9/00		
FINISH SEE NOTES		CHECKED DJD 2/10/00		
DO NOT SCALE DRAWING		RESP ENG UFN 5/8/00		
		MFG ENG CHB 4/28/00		
		QUAL ENG RPO 5/8/00		
ANDERSON POWER PRODUCTS				
CATALOG NUMBER 996G1 SB350 CABLE CLAMP FOR TWO SINGLE CONDUCTOR CABLES				
SIZE	SPECIFICATION:	114231S1		REV. 2
A		SCALE NONE		
		CADFILES/01193		SHEET 1 OF 1