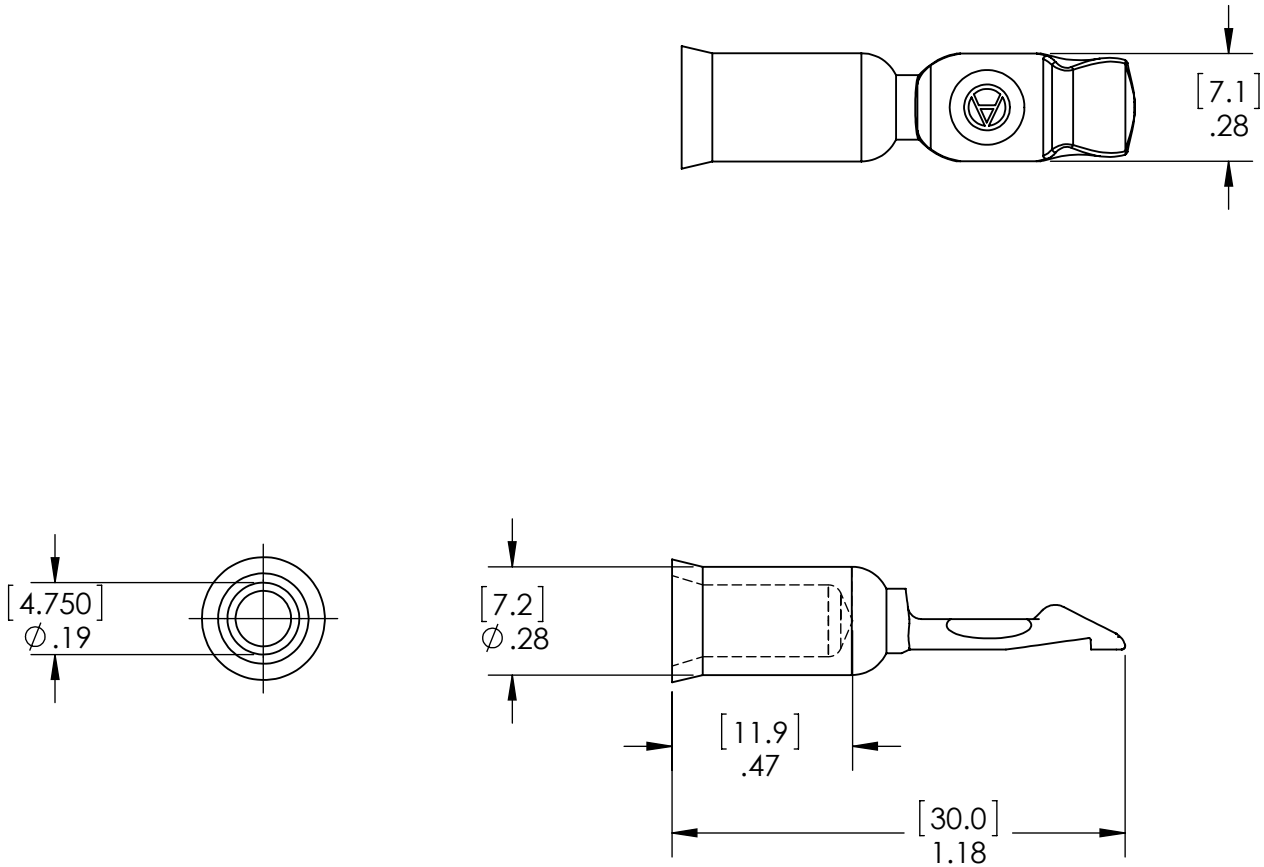


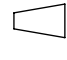


CAT. P/N: 5952



|      |             |       |           |
|------|-------------|-------|-----------|
| 5    | ECRN-15243  | TWE   | 9/25/2012 |
| 4    | ECRN-14452  | CHB   | 6/17/09   |
| 3    | ECRN-13652  | CHB   | 12/03     |
| 2    | ECRN-13635  | CHB   | 11/11/03  |
| REV. | DESCRIPTION | APPRV | DATE      |

REVISIONS

|  |  |   |  |   |     |           |           |  |  |
|--|--|---|--|---|-----|-----------|-----------|--|--|
| DIMENSIONS ARE IN:   |  | INCH [MM]   |  | APPROVALS   |     | DATE      |           |  <b>ANDERSON POWER PRODUCTS</b> |  |
| UNLESS OTHERWISE STATED:   |  |   |  | DRAWN   | DMM |           | 9/11/2003 |  |  |
| TOLERANCES:  |  |   |  | CHECKED   |     | DJD       |           | 11/1/2003  |  |
| DECIMALS (INCH)  |  | DECIMALS (MM)   |  | MFG APPRV   |     | DSM       |           | 11/1/2003  |  |
| .XX ± .02  |  | .X ± .5   |  | QC APPRV  |     | RPO       |           | 11/1/2003  |  |
| ANGLES   |  | ±2°   |  | ENG APPRV   |     | UFN       |           | 11/1/2003  |  |
| SURFACE FINISH:  |  |   |  | SIZE  |     | DWG. NO.  |           | REV.   |  |
| MACHINED   |  | 128µin [3.2µ]   |  | A   |     | 114155S1  |           | 5  |  |
| MOLDED   |  | 64µin [1.6µ]  |  | SCALE   |     | CAD FILE: |           | SHEET  |  |
| MATERIAL:  |  |   |  | NONE  |     | 03813     |           | 1 OF 1   |  |
| COPPER ALLOY   |  |   |  | -CAD GENERATED DRAWING-<br>DO NOT MANUALLY UPDATE<br>DO NOT SCALE |     |           |           |  |  |
| FINISH:  |  |   |  |   |     |           |           |  |  |
| SILVER PLATE   |  |   |  |   |     |           |           |  |  |
|  3RD ANGLE PROJECTION |  |  |  |   |     |           |           |  |  |