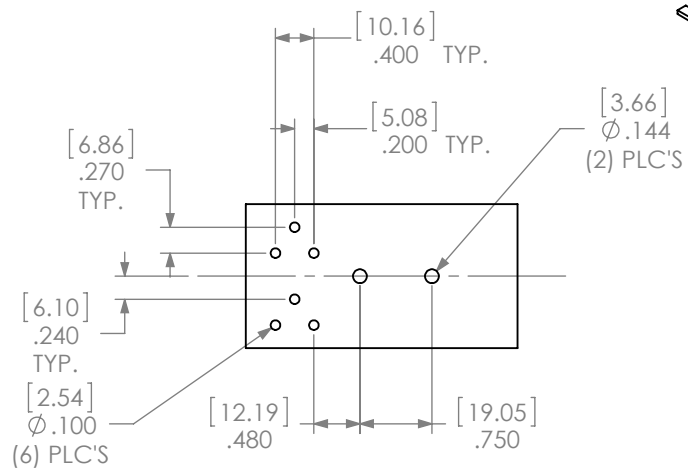
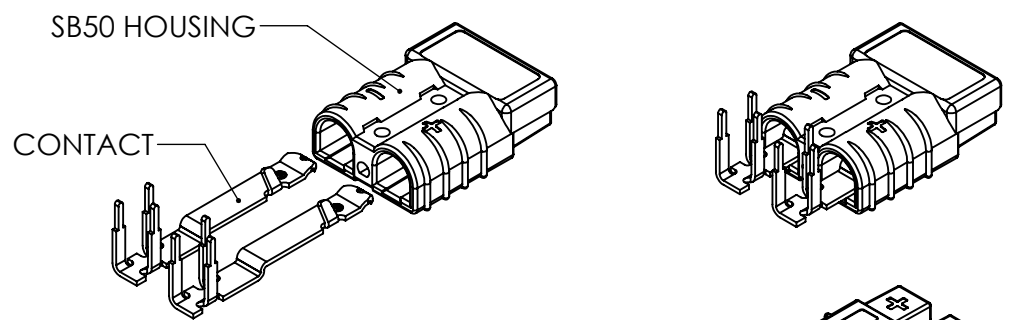
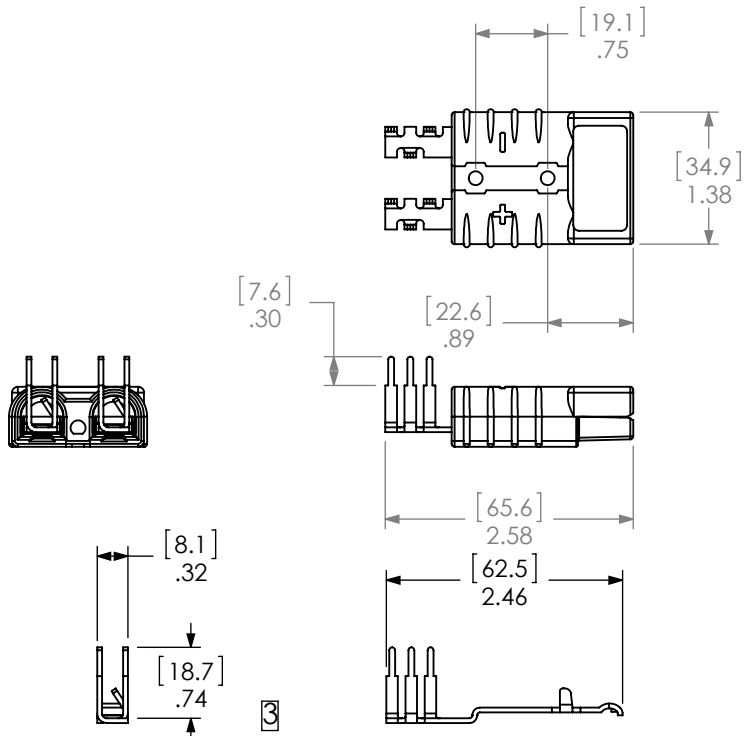


THE INFORMATION CONTAINED IN THIS DRAWING IS THE SOLE PROPERTY OF ANDERSON POWER PRODUCTS. ANY REPRODUCTION IN PART OR WHOLE WITHOUT THE WRITTEN PERMISSION OF ANDERSON POWER PRODUCTS IS PROHIBITED.

**Copyright 2011**

ANDERSON POWER PRODUCTS RESERVES THE RIGHT TO ALTER PRODUCT TYPES, THEIR TECHNICAL DATA, DIMENSION, STYLE AND ACCESSORIES WITHOUT PRIOR NOTIFICATION.



- NOTES:**
- ASSEMBLE PROPER CONTACT INTO REQUIRED HOUSING AS SHOWN, BY INSERTING NOSE OF CONTACT INTO OPENING IN HOUSING. AN AUDIBLE 'CLICK' WILL BE HEARD WHEN THE CONTACT ENGAGES THE SPRING OF THE HOUSING. THE COMPLETED ASSEMBLY SHOULD RESULT IN THE DIMENSIONS AS SHOWN IN THE SIDE VIEW.
  - INSURE THAT THE LEGS OF THE CONTACT ARE NOT BENT PRIOR TO ENGAGEMENT OR DURING INSERTION INTO HOUSING. IF THIS OCCURS, REMOVE THE CONTACT FROM THE HOUSING, DISCARD, AND INSERT A NEW CONTACT INTO THE HOUSING USING NOTE 1 AS AN INSTALLATION GUIDE.
  - WHEN ASSEMBLED, THE BACK SURFACE OF THE CONTACT SHOULD BE JUST TOUCHING THE EDGE OF THE HOUSING OPENING.

SUGGESTED PC BOARD HOLE LAYOUT (SUGGESTED TOLERANCE ±.003[.08])

|      |             |       |           |
|------|-------------|-------|-----------|
| 3    | ECRN-15267  | TWE   | 11/8/2012 |
| 2    | ECRN 15019  | NTS   | 11/17/11  |
| 1    | ECRN 13418  | CMS   | 8/16/2001 |
| REV. | DESCRIPTION | APPRV | DATE      |

REVISIONS

|                          |           |   |               |  |        |
|--------------------------|-----------|---|---------------|--|--------|
| DIMENSIONS ARE IN:       | INCH [MM] | <i>APPROVALS</i>  |               | <br><b>ANDERSON POWER PRODUCTS</b>   |        |
| UNLESS OTHERWISE STATED  |           | DRAWN   | CGC 8/10/1998 |  |        |
| TOLERANCES:              |           | CHECKED   | DJD 10/6/1999 |  |        |
| DECIMALS (INCH) .XX ±.02 |           | MFG APPRV   | CHB 10/7/1999 |  |        |
| SURFACE FINISH:          |           | QC APPRV  | RPO 10/7/1999 | <b>TITLE</b><br>SB50-SERIES HOUSING & STANDARD POWERCLAW™ CONTACT ASSEMBLY |        |
| MACHINED 128µin [3.2µ]   |           | ENG APPRV   | UFN 10/6/1999 |  |        |
| MOLDED 64µin [1.6µ]      |           | SIZE  | A             |  |        |
| MATERIAL:                |           | DWG NO.   | 114197S1      | REV.   | 3      |
| FINISH:                  |           | SCALE   | NONE          | CADFILE  | 01121  |
| <br>3rd ANGLE PROJECTION |           | -CAD GENERATED DRAWING- DO NOT MANUALLY UPDATE DO NOT SCALE |               | SHEET  | 1 OF 1 |