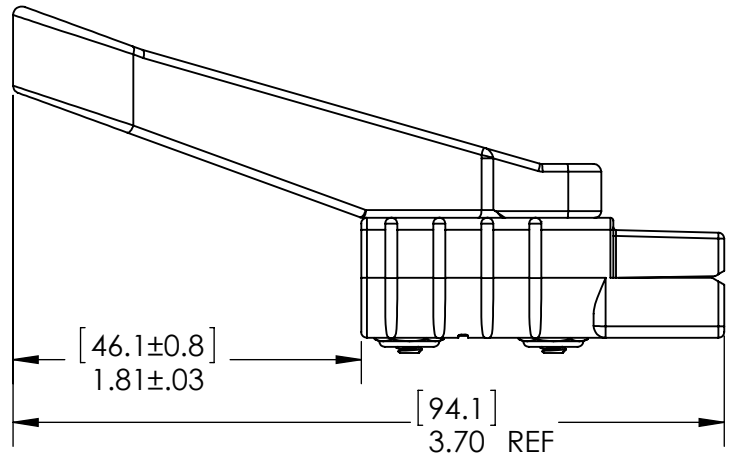
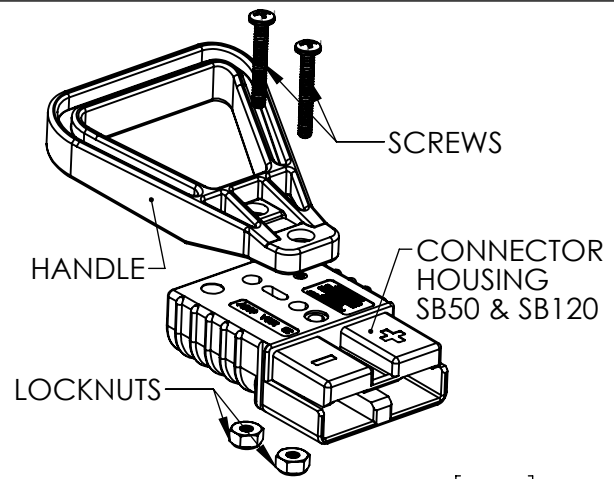


THE INFORMATION CONTAINED IN THIS DRAWING IS THE SOLE PROPERTY OF ANDERSON POWER PRODUCTS. ANY REPRODUCTION IN PART OR WHOLE WITHOUT THE WRITTEN PERMISSION OF ANDERSON POWER PRODUCTS IS PROHIBITED.

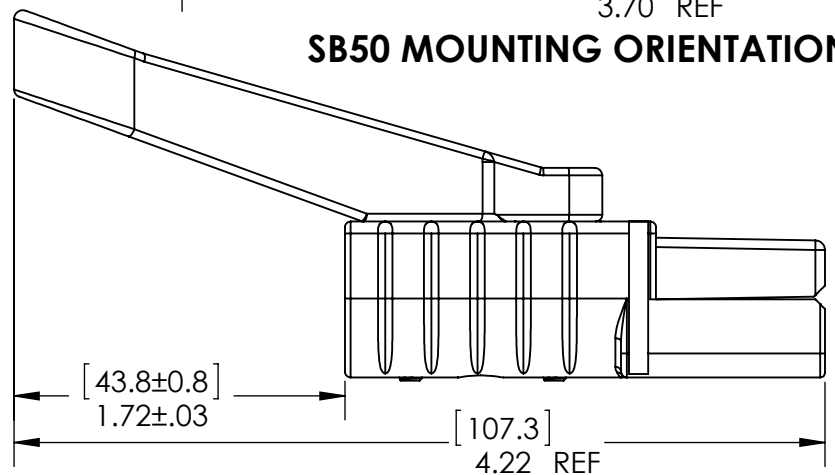
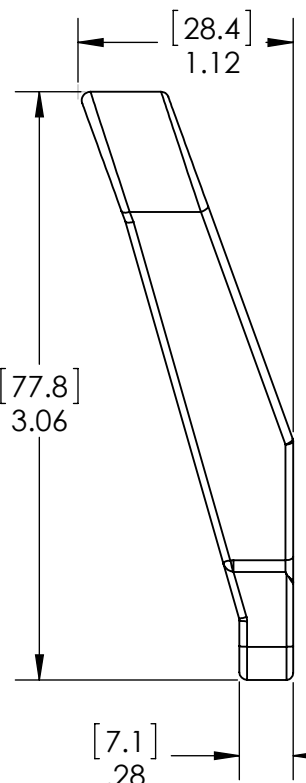
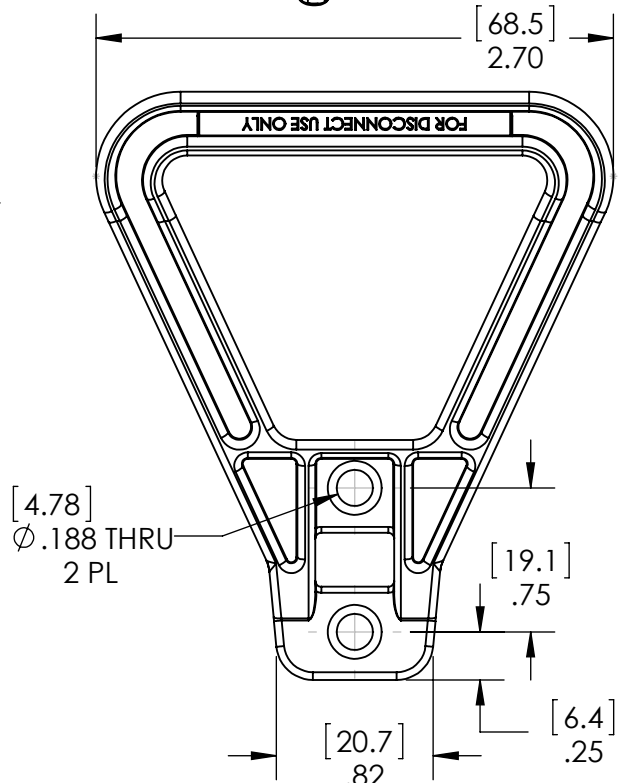
Copyright 2012

ANDERSON POWER PRODUCTS RESERVES THE RIGHT TO ALTER PRODUCT TYPES, THEIR TECHNICAL DATA, DIMENSION, STYLE AND ACCESSORIES WITHOUT PRIOR NOTIFICATION.

- NOTES:**
- CONNECTORS SOLD SEPARATELY
HARDWARE INCLUDED FOR SB50 & SB120
2 LOCKNUTS
2 SCREWS FOR SB50
2 SCREWS FOR SB120
 - MATERIALS:**
HANDLE - POLYCARBONATE
SCREWS - STEEL ZINC-PLATED
NUTS - ZINC PLATED STEEL
W/ PLASTIC INSERT



SB50 MOUNTING ORIENTATION



SB120 MOUNTING ORIENTATION

KIT P/N: 997G1

DIMENSIONS ARE IN:	INCH [MM]	<i>APPROVALS</i>			ANDERSON POWER PRODUCTS		
UNLESS OTHERWISE STATED		DRAWN	TWE		7/10/2012	TITLE	
TOLERANCES:		CHECKED	NTS	7/10/2012	SB50 & SB120 GRAY "A" FRAME HANDLE OUTLINE		
DECIMALS (INCH)	DECIMALS (MM)	ANGLES	MFG APPRV	CHB	7/10/2012	SIZE	
.XX ± .02	.X ± .5	±2°	QC APPRV	UFN	7/11/2012	A	DWG NO.
SURFACE FINISH:			ENG APPRV	BD	7/11/2012	NONE	115175S1
MACHINED 128µin [3.2µ]						CADFILE	03762
MOLDED 64µin [1.6µ]						SHEET	1 OF 1
MATERIAL: SEE NOTES							
FINISH:							
-CAD GENERATED DRAWING- DO NOT MANUALLY UPDATE DO NOT SCALE							

REV.	DESCRIPTION	APPRV	DATE
REVISIONS			