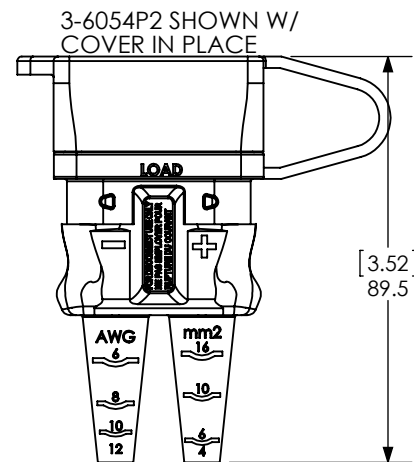
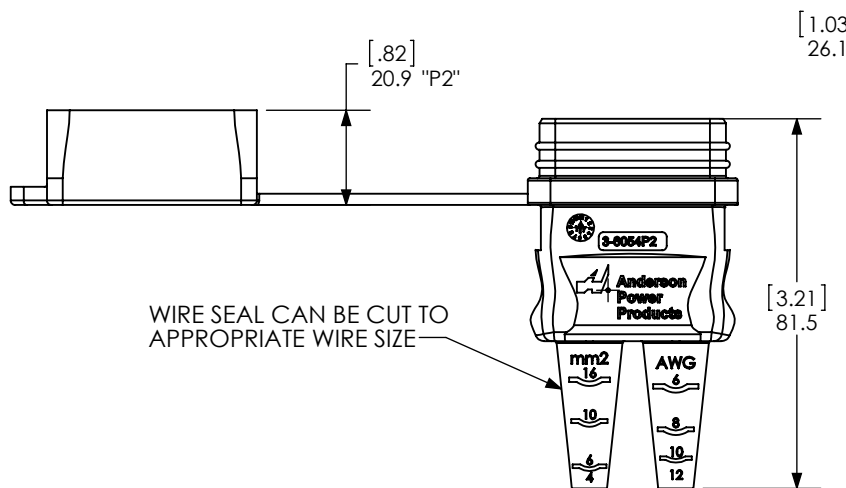
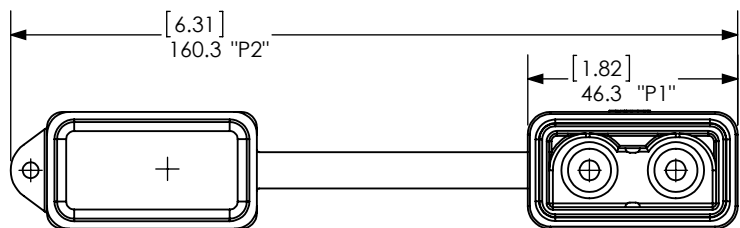


THE INFORMATION CONTAINED IN THIS DRAWING IS THE SOLE PROPERTY OF ANDERSON POWER PRODUCTS. ANY REPRODUCTION IN PART OR WHOLE WITHOUT THE WRITTEN PERMISSION OF ANDERSON POWER PRODUCTS IS PROHIBITED.

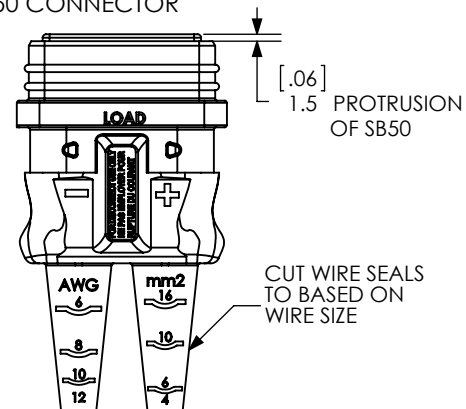
**Copyright 2014**

ANDERSON POWER PRODUCTS RESERVES THE RIGHT TO ALTER PRODUCT TYPES, THEIR TECHNICAL DATA, DIMENSION, STYLE AND ACCESSORIES WITHOUT PRIOR NOTIFICATION.

P/N	DESC.
3-6054P1	SB50 ENVIRONMENTAL BOOT-LOAD SIDE
3-6054P2	SB50 ENVIRONMENTAL BOOT-LOAD SIDE WITH INTEGRAL COVER



3-6054P1 WITH INSTALLED SB50 CONNECTOR



- NOTES:
- MATERIAL - TPE
  - INTENDED FOR USE WITH SB@ 50 CONNECTOR SERIES (SOLD SEPARATELY)
  - REFER TO THE FOLLOWING ASSEMBLY INSTRUCTIONS  
1S1030A FOR SB@ CONNECTOR SERIES  
1S6596 FOR SB@ ENVIRONMENTAL BOOTS
  - "LOAD" SIDE BOOT IS INTENDED FOR USE WITH CONNECTOR ATTACHED TO THE ELECTRICAL LOAD
  - IN THE UNMATED CONDITION, SECURE THE COVER TO THE BOOT FOR ENVIRONMENTAL PROTECTION
  - IN THE MATED CONDITION, SECURE COVERS TOGETHER TO PREVENT PARTICULATES FROM GATHERING IN THE COVERS

DIMENSIONS ARE IN:		MM [INCH]		APPROVALS		ANDERSON POWER PRODUCTS	
UNLESS OTHERWISE STATED				DRAWN	CMS	5/15/2014	TITLE SB50 ENVIRONMENTAL BOOT- LOAD SIDE
TOLERANCES:				CHECKED	NTS	7/11/2014	
DECIMALS (INCH)	DECIMALS (MM)	ANGLES		MFG APPRV	lld	7/11/2014	
.XX ± .02	.X ± .5	±2°		QC APPRV	HN	7/15/2014	
SURFACE FINISH:				ENG APPRV	BD	7/15/2014	SIZE A
MACHINED 3.2µ [128µin]							DWG NO. 115376S1
MOLDED 1.6µ [64µin]							REV. 1
MATERIAL: TPE- BLACK							SCALE NONE
FINISH:							CADFILE 04291
3rd ANGLE PROJECTION							SHEET 1 OF 2

1	ECRN 15740	CMS	11/11/2014
REV.	DESCRIPTION	APPRV	DATE
REVISIONS			

THE INFORMATION CONTAINED IN THIS DRAWING IS THE SOLE PROPERTY OF ANDERSON POWER PRODUCTS. ANY REPRODUCTION IN PART OR WHOLE WITHOUT THE WRITTEN PERMISSION OF ANDERSON POWER PRODUCTS IS PROHIBITED.

**Copyright 2014**

ANDERSON POWER PRODUCTS RESERVES THE RIGHT TO ALTER PRODUCT TYPES, THEIR TECHNICAL DATA, DIMENSION, STYLE AND ACCESSORIES WITHOUT PRIOR NOTIFICATION.

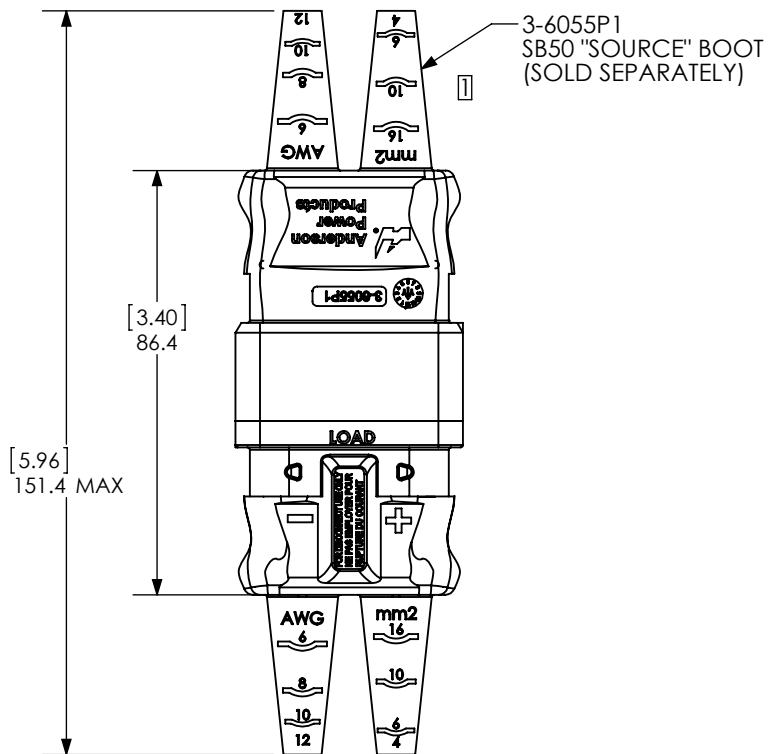
D

C

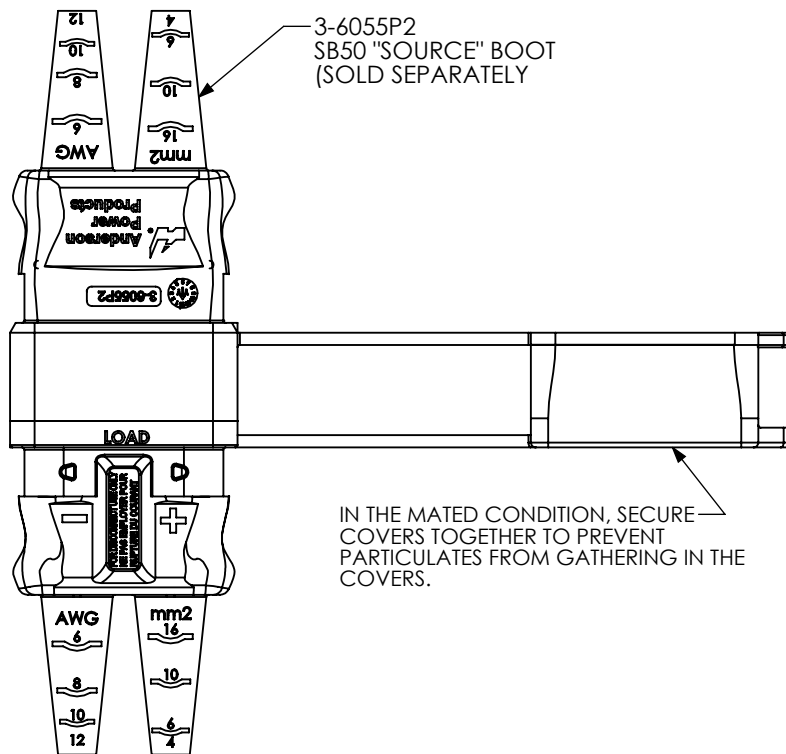
B

A

"P1" PARTS MATED



"P2" PARTS MATED



D

C

B

A

DIMENSIONS ARE IN:	MM [INCH]	<b>APPROVALS</b>			<b>ANDERSON POWER PRODUCTS</b>		
UNLESS OTHERWISE STATED		DRAWN	CMS		5/15/2014	TITLE	
TOLERANCES:		CHECKED	NTS	7/11/2014	SB50 ENVIRONMENTAL BOOT- LOAD SIDE		
DECIMALS (INCH) DECIMALS (MM) ANGLES .XX ± .02 .X ± .5 ±2°		MFG APPR	lld	7/11/2014			
SURFACE FINISH:		QC APPR	HN	7/15/2014			
MACHINED 3.2µ [128µin] ✓ MOLDED 1.6µ [64µin] ✓		ENG APPR	BD	7/15/2014	SIZE	DWG NO.	REV.
MATERIAL: TPE- BLACK				A	115376S1	1	
FINISH:				NONE	CADFILE	SHEET	
					04291	2 OF 2	
		-CAD GENERATED DRAWING- DO NOT MANUALLY UPDATE DO NOT SCALE					