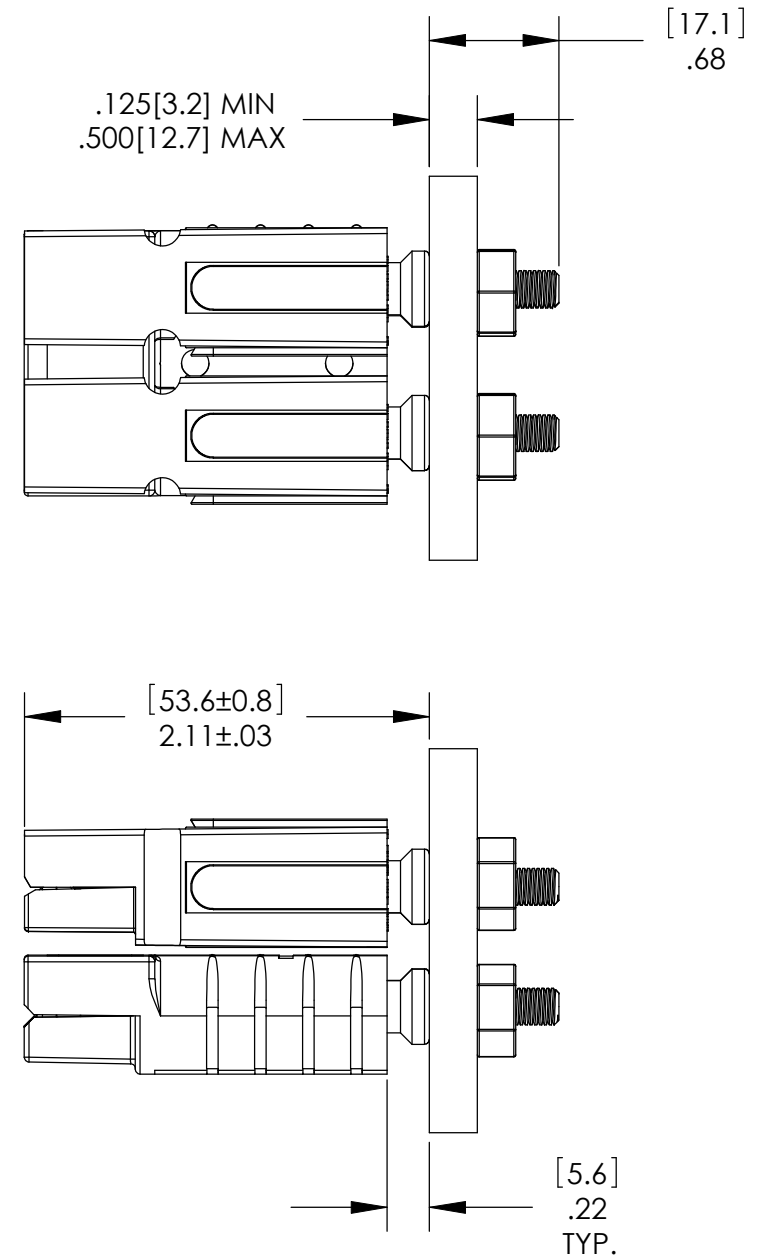
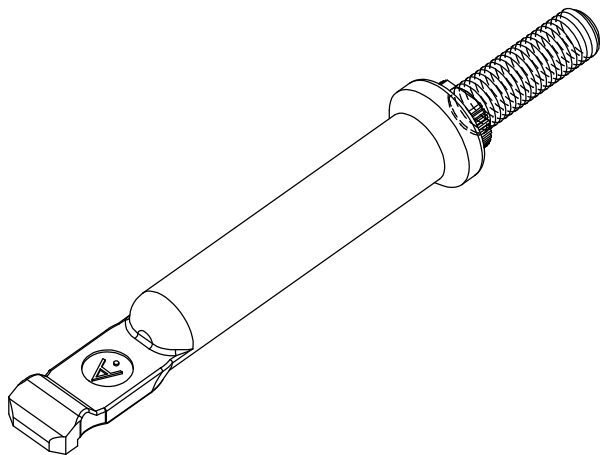
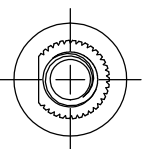
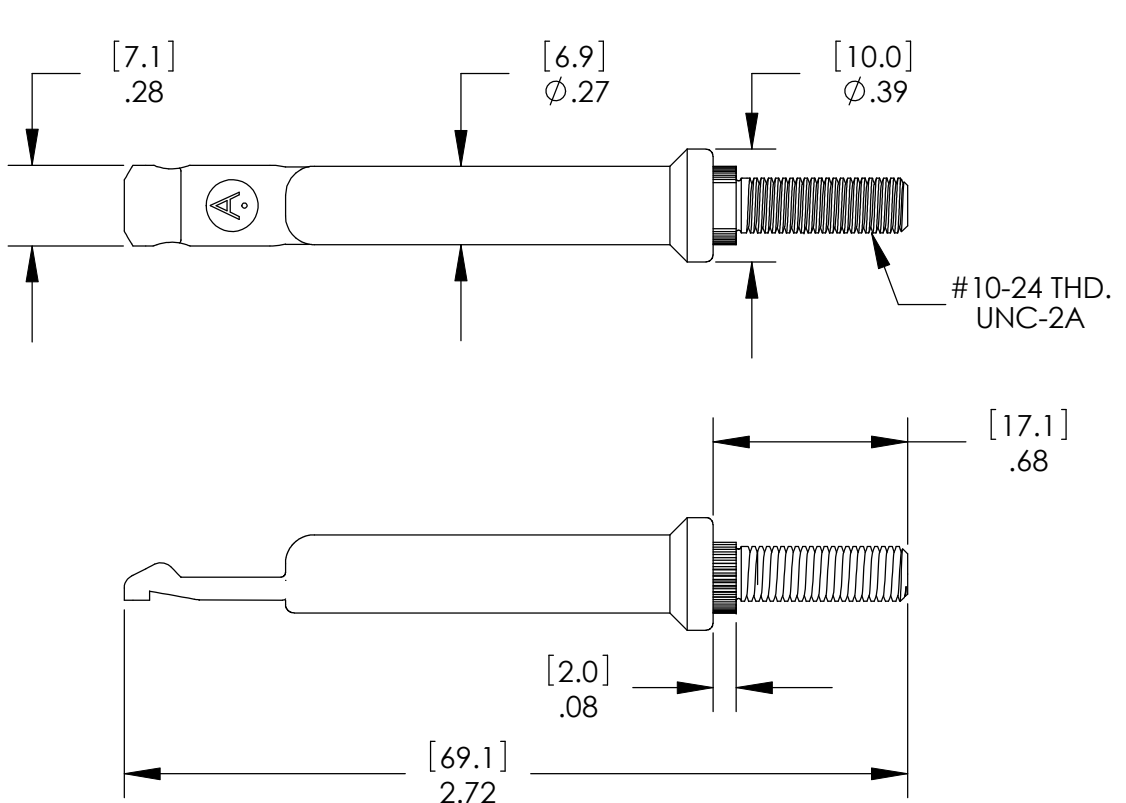


THE INFORMATION CONTAINED IN THIS DRAWING IS THE SOLE PROPERTY OF ANDERSON POWER PRODUCTS. ANY REPRODUCTION IN PART OR WHOLE WITHOUT THE WRITTEN PERMISSION OF ANDERSON POWER PRODUCTS IS PROHIBITED.

Copyright 2008

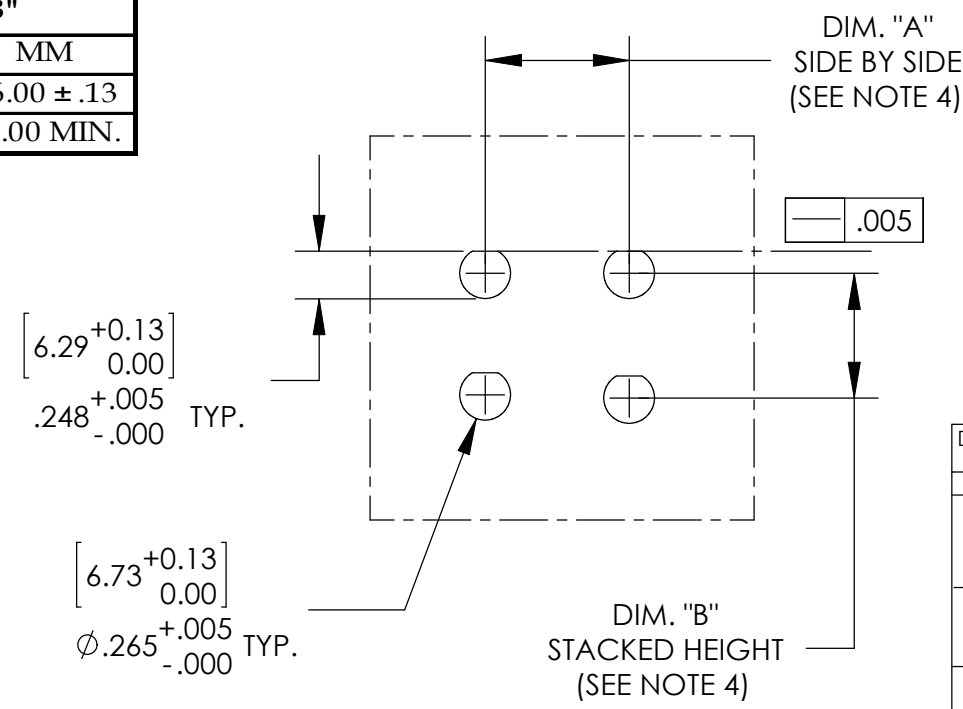
ANDERSON POWER PRODUCTS RESERVES THE RIGHT TO ALTER PRODUCT TYPES, THEIR TECHNICAL DATA, DIMENSION, STYLE AND ACCESSORIES WITHOUT PRIOR NOTIFICATION.



HOUSING	DIM. "A"		DIM. "B"	
	INCH	MM	INCH	MM
PP75	.630 ± .005	16.00 ± .13	.630 ± .005	16.00 ± .13
SB50	.750 ± .005	19.05 ± .13	.630 MIN.	16.00 MIN.

NOTES:

- TIGHTENING TORQUE = 18 IN-LBS
- CONTACT MATERIAL = COPPER ALLOY  
FINISH = SILVER PLATE  
HOUSING MATERIAL = POLYCARBONATE
- #10-24 NUT INCLUDED WITH CONTACT
- ASSUMES DOVETAILED WILL BE ENGAGED FOR PP ASSEMBLIES



DIMENSIONS ARE IN:		APPROVALS		ANDERSON POWER PRODUCTS	
INCH[MM]		DRAWN	GN	07/12/01	SALES OUTLINE FOR PP75/SB50 BUS CONTACT
UNLESS OTHERWISE STATED		CHECKED	BL	07/20/01	
TOLERANCES:		MFG APP	UFN	07/20/01	
DECIMALS (INCH) .XX ± .02		QC APP	CHB	07/20/01	
ANGLES ±2°		ENG APP	RPO	07/20/01	SIZE B/A3
SURFACE FINISH:		MATERIAL: SEE NOTE 2		DWG NO. B01952S1	REV. 2
MACHINED 128 [3.2] ✓		FINISH: SEE NOTE 2		SCALE NONE	CADFILE 01459
MOLDED 64 [1.6] ✓		-CAD GENERATED DRAWING- DO NOT MANUALLY UPDATE DO NOT SCALE		SHEET 1 OF 1	

REV.	DESCRIPTION OF CHANGES	APPROVED	DATE
2	ECRN 14308 - REVISE & REDRAW	AMS	08/29/08