

THE INFORMATION CONTAINED IN THIS DRAWING IS THE SOLE PROPERTY OF ANDERSON POWER PRODUCTS. ANY REPRODUCTION IN PART OR WHOLE WITHOUT THE WRITTEN PERMISSION OF ANDERSON POWER PRODUCTS IS PROHIBITED.

Copyright 2012

ANDERSON POWER PRODUCTS RESERVES THE RIGHT TO ALTER PRODUCT TYPES, THEIR TECHNICAL DATA, DIMENSION, STYLE AND ACCESSORIES WITHOUT PRIOR NOTIFICATION.

D

D

C

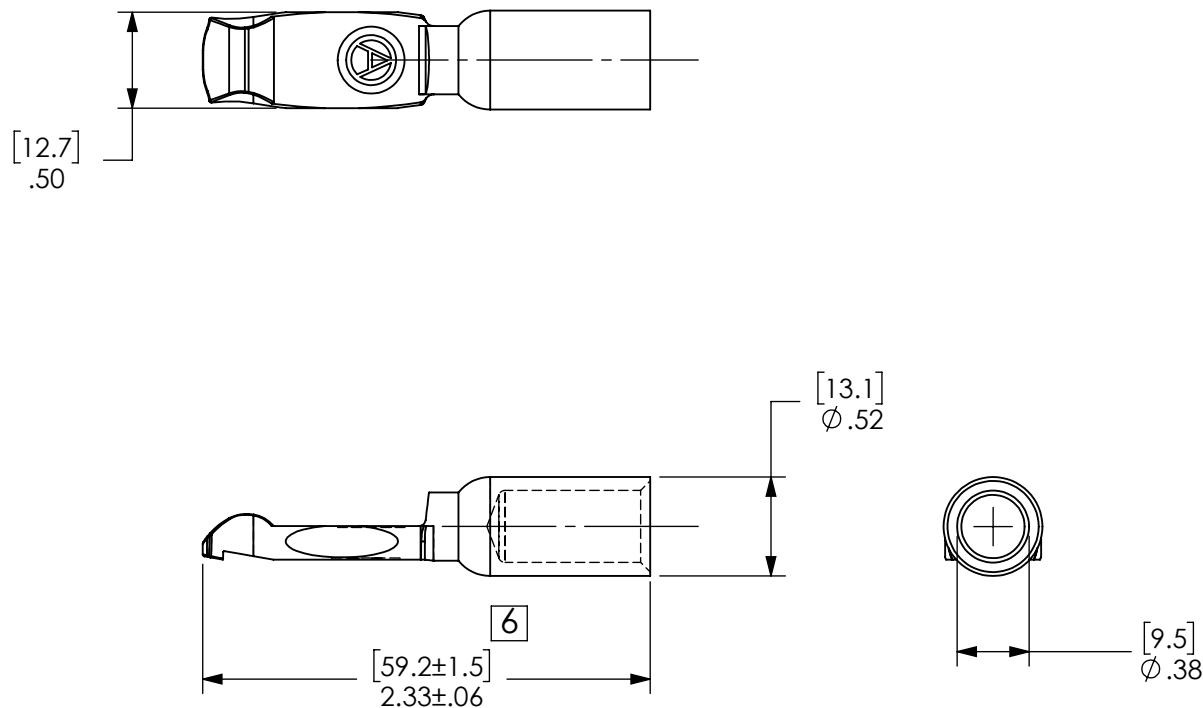
C

B

B

A

A



6	ECN 2021-0001 ADDED TOLERANCE TO 2.33	CPD	1/13/2021
5	ECRN-15162	TWE	10/30/2012
4	ECRN-15008	JHN	10/31/2011
REV.	DESCRIPTION	APPRV	DATE

REVISIONS

DIMENSIONS ARE IN:	MM [INCH]	APPROVALS			ANDERSON POWER PRODUCTS			
UNLESS OTHERWISE STATED		DRAWN	CMS		7/14/1999	TITLE		
TOLERANCES:		CHECKED	DJD	7/14/1999	CATALOG NUMBER 6384G2			
DECIMALS (INCH)	DECIMALS (MM)	ANGLES	MFG APPRV	CHB	7/26/1999	SBE 160/SBX 175 CONTACT FOR 35MM WIRE SET OF TWO CONTACTS		
.XX ±.02	.X ±.5	±2°	QC APPRV	DJM	7/26/1999	SIZE	DWG NO.	REV.
SURFACE FINISH:			ENG APPRV	UFN	7/27/1999	A	114162S2	6
MACHINED 3.2µ [128µin]			-CAD GENERATED DRAWING- DO NOT MANUALLY UPDATE DO NOT SCALE		SCALE	CADFILE	SHEET	
MOLDED 1.6µ [64µin]					NONE	01077	1 OF 1	
MATERIAL: COPPER ALLOY								
FINISH: SILVER PLATE								