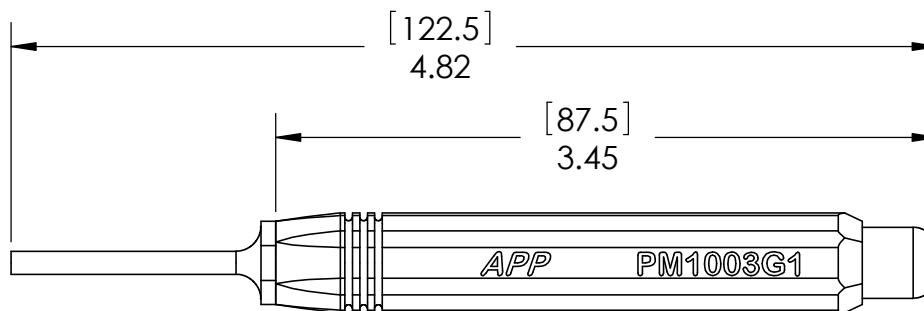
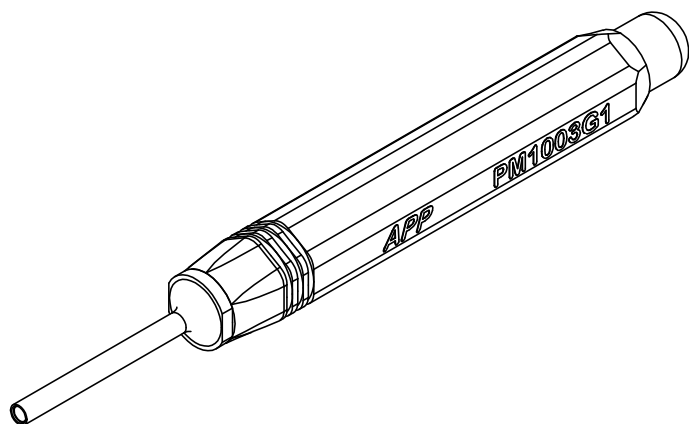


8 7 6 5 4 3 2 1

THE INFORMATION CONTAINED IN THIS DRAWING IS THE SOLE PROPERTY OF ANDERSON POWER PRODUCTS. ANY REPRODUCTION IN PART OR WHOLE WITHOUT THE WRITTEN PERMISSION OF ANDERSON POWER PRODUCTS IS PROHIBITED.

Copyright 2008

ANDERSON POWER PRODUCTS RESERVES THE RIGHT TO ALTER PRODUCT TYPES, THEIR TECHNICAL DATA, DIMENSION, STYLE AND ACCESSORIES WITHOUT PRIOR NOTIFICATION.



NOTES:

- CONTACTS ARE RELEASED FROM THE FRONT SIDE OF THE CONNECTOR AND REMOVED FROM THE BACK (REF. 1S6420 FOR ADDITIONAL USE INSTRUCTIONS)
- FOR USE ON POWERMOD & SBS75X CONNECTORS

DIMENSIONS ARE IN:		INCH[MM]	APPROVALS		ANDERSON POWER PRODUCTS		
UNLESS OTHERWISE STATED			DRAWN	AMS 05/12/08		TITLE EXTRACTION TOOL FOR POWERMOD & SBS75X CAT. NO. PM1003G1	
TOLERANCES:			CHECKED	DJD 05/13/08			
DECIMALS (INCH)	DECIMALS (MM)	ANGLES	MFG APP	CHB 05/12/08			
.XX ± .02	.X ± .5	±2°	QC APP	UFN 05/12/08			
SURFACE FINISH:			ENG APP	DAM 05/12/08	SIZE	DWG NO.	REV.
MACHINED		128 [3.2] ✓			A/A4	114779S1	1
MOLDED		64 [1.6] ✓					
MATERIAL: N/A					SCALE	CADFILE	SHEET
FINISH: N/A					NONE	02782	1 OF 1
3rd ANGLE PROJECTION			CAD GENERATED DRAWING- DO NOT MANUALLY UPDATE DO NOT SCALE				

1	ECRN 14295 - REMOVE "G2" TOOL	AMS	07/28/08
REV.	DESCRIPTION OF CHANGES	APPROVED	DATE

8 7 6 5 4 3 2 1