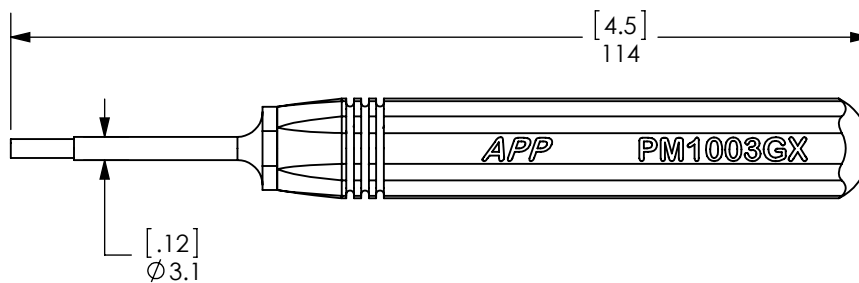
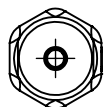
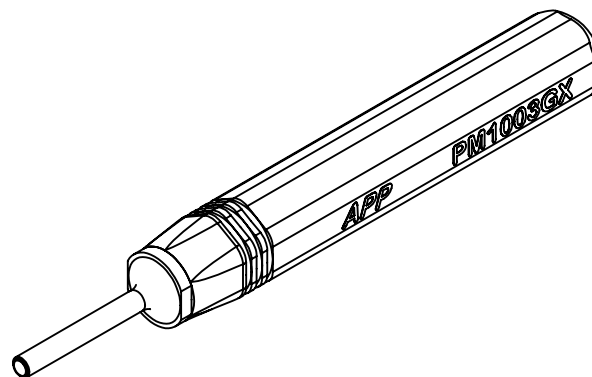


THE INFORMATION CONTAINED IN THIS DRAWING IS THE SOLE PROPERTY OF ANDERSON POWER PRODUCTS. ANY REPRODUCTION IN PART OR WHOLE WITHOUT THE WRITTEN PERMISSION OF ANDERSON POWER PRODUCTS IS PROHIBITED.


Copyright 2015

ANDERSON POWER PRODUCTS RESERVES THE RIGHT TO ALTER PRODUCT TYPES, THEIR TECHNICAL DATA, DIMENSION, STYLE AND ACCESSORIES WITHOUT PRIOR NOTIFICATION.



NOTES:

1. REFER TO 1S6640 FOR USER INSTRUCTIONS
2. MATERIALS:
 - HANDLE- ALUMINUM
 - MANDREL/TUBE - STAINLESS STEEL

| | | | | | |
|-------------------------|---------------|-----------|------------------|-----------|---|
| DIMENSIONS ARE IN: | | MM [INCH] | APPROVALS | |  ANDERSON POWER PRODUCTS TITLE CAT. NO. PM1003GX: POWERMOD CONTACT INSERTION PROOF TOOL |
| UNLESS OTHERWISE STATED | | | DRAWN | | |
| TOLERANCES: | | | CMS | 2/26/2015 | |
| DECIMALS (INCH) | DECIMALS (MM) | ANGLES | CHECKED | | |
| .XX ±.02 | .X ±.5 | ±2° | NTS | 3/13/2015 | |
| SURFACE FINISH: | | | MFG APPRV | | |
| MACHINED | 3.2μ [128μin] | ✓ | CHB | 3/13/2015 | |
| MOLDED | 1.6μ [64μin] | ✓ | QC APPRV | | |
| MATERIAL: | | | ASF | 3/16/2015 | |
| SEE NOTES | | | ENG APPRV | | |
| FINISH: | | | CLY | 3/16/2015 | |
| SIZE | | A | DWG NO. | 115432S1 | REV. 0 |
| SCALE | | NONE | CADFILE | 04474 | SHEET 1 OF 1 |

| REV. | DESCRIPTION | APPRV | DATE |
|-----------|-------------|-------|------|
| REVISIONS | | | |