

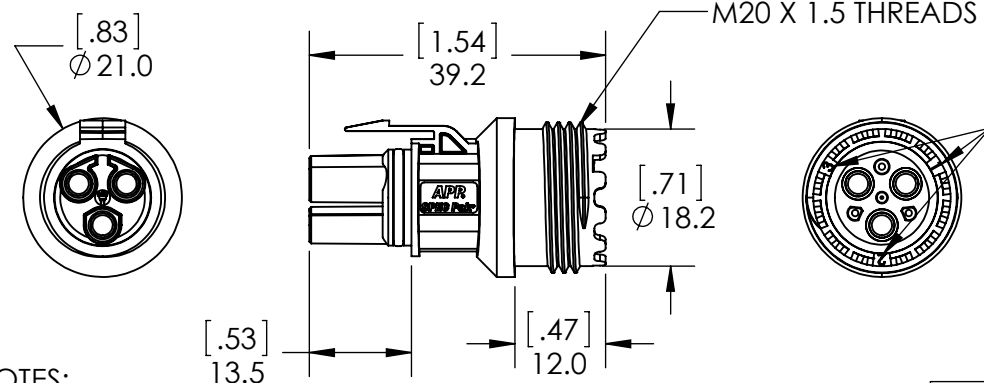
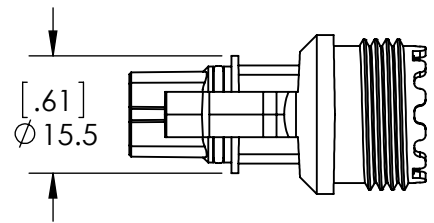
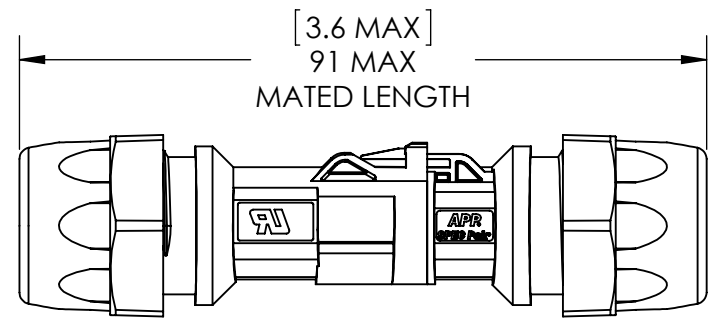
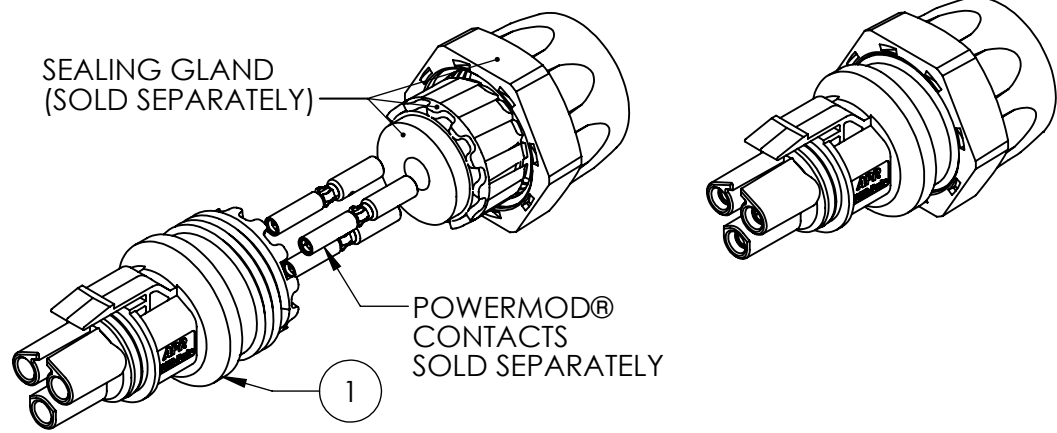
8 7 6 5 4 3 2 1

THE INFORMATION CONTAINED IN THIS DRAWING IS THE SOLE PROPERTY OF ANDERSON POWER PRODUCTS. ANY REPRODUCTION IN PART OR WHOLE WITHOUT THE WRITTEN PERMISSION OF ANDERSON POWER PRODUCTS IS PROHIBITED.

**Copyright 2012**

ANDERSON POWER PRODUCTS RESERVES THE RIGHT TO ALTER PRODUCT TYPES, THEIR TECHNICAL DATA, DIMENSION, STYLE AND ACCESSORIES WITHOUT PRIOR NOTIFICATION.

COMPONENTS INCLUDED		
ITEM	QTY	DESCRIPTION
1	1	STRAIGHT PLUG SHELL (FEMALE) WITH O-RING



**PART NO. SK6-019M03**

- NOTES:
- MATERIAL:
    - A. PLUG HOUSING - PC, BLACK
    - B. O-RING - NBR, BLACK
  - FOR USE WITH POWERMOD® SOCKET CONTACTS (SOLD SEPARATELY)
  - REFER TO ASSEMBLY INSTRUCTIONS 1S6590

DIMENSIONS ARE IN:	MM [INCH]	<i>APPROVALS</i>		<p><b>ANDERSON POWER PRODUCTS</b></p> <p>TITLE</p> <p>3-POSITION MINI PL SPEC PAK® STRAIGHT PLUG SHELL (FEMALE)</p>
UNLESS OTHERWISE STATED		DRAWN	11/28/2012	
TOLERANCES:		NTS		
DECIMALS (INCH)	DECIMALS (MM)	CHECKED	3/8/2013	
.XX ± .02	.X ± .5	ANGLES	±2°	
SURFACE FINISH:		MFG APPRV	3/8/2013	
MACHINED	3.2µ [128µin]	CHB		
MOLDED	1.6µ [64µin]	QC APPRV	3/8/2013	
MATERIAL: SEE NOTES		UFN		
FINISH:		ENG APPRV	3/8/2013	
		BD		
<p>3rd ANGLE PROJECTION</p>		-CAD GENERATED DRAWING- DO NOT MANUALLY UPDATE DO NOT SCALE		
SIZE	A	DWG NO.	115221S1	REV. 2
SCALE	NONE	CADFILE	03867	SHEET 1 OF 1

REV.	DESCRIPTION	APPRV	DATE
2	ECRN 15480	NTS	10/3/2013
1	ECRN 15459	NTS	8/2013
REVISIONS			

8 7 6 5 4 3 2 1