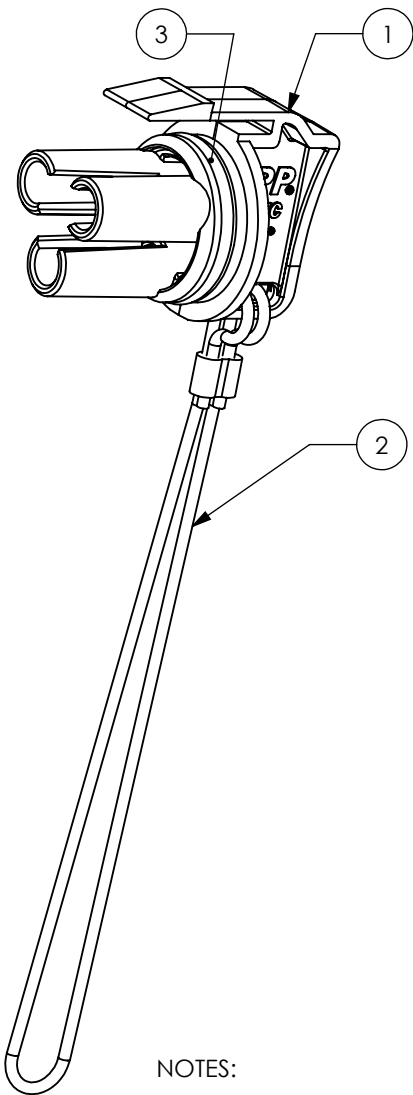


THE INFORMATION CONTAINED IN THIS DRAWING IS THE SOLE PROPERTY OF ANDERSON POWER PRODUCTS. ANY REPRODUCTION IN PART OR WHOLE WITHOUT THE WRITTEN PERMISSION OF ANDERSON POWER PRODUCTS IS PROHIBITED.

Copyright 2013

ANDERSON POWER PRODUCTS RESERVES THE RIGHT TO ALTER PRODUCT TYPES, THEIR TECHNICAL DATA, DIMENSION, STYLE AND ACCESSORIES WITHOUT PRIOR NOTIFICATION.



ITEM NO.	QTY.	DESCRIPTION
1	1	MINI 3PL MALE COVER
2	1	.8-.9mm x 300mm- SINGLE CRIMP
3	1	O-RING

NOTES:

- MATERIALS:
COVER- PC, UL94 V-0, BLK
LANYARD- BRAIDED POLYESTER CORD
O-RING- NBR, BLACK
- FOR USE ON SK1-019M03

DIMENSIONS ARE IN: MM [INCH]		<i>APPROVALS</i>		<p>ANDERSON POWER PRODUCTS</p> <p>TITLE</p> <p>SPEC PAK® MINI 3PL MALE COVER- CAT. NO. SK9M-019</p>
UNLESS OTHERWISE STATED		DRAWN		
TOLERANCES:		CMS	11/7/2013	
DECIMALS (INCH)	DECIMALS (MM)	CHECKED		
.XX ± .02	.X ± .5	NTS	11/8/2013	
SURFACE FINISH:		MFG APPRV		
MACHINED	3.2µ [128µin]	CHB	11/8/2013	
MOLDED	1.6µ [64µin]	QC APPRV		
MATERIAL:		UFN	11/8/2013	
SEE NOTES		ENG APPRV		
FINISH:		BD	11/8/2013	
		-CAD GENERATED DRAWING- DO NOT MANUALLY UPDATE DO NOT SCALE		SIZE A
REVISIONS		DWG NO. 115293S1		REV. 1
1 ECRN 15815 CMS 4/30/2015		SCALE NONE		SHEET 1 OF 1
REV. DESCRIPTION APPRV DATE		CADFILE 04089		

1	ECRN 15815	CMS	4/30/2015
REV.	DESCRIPTION	APPRV	DATE
REVISIONS			