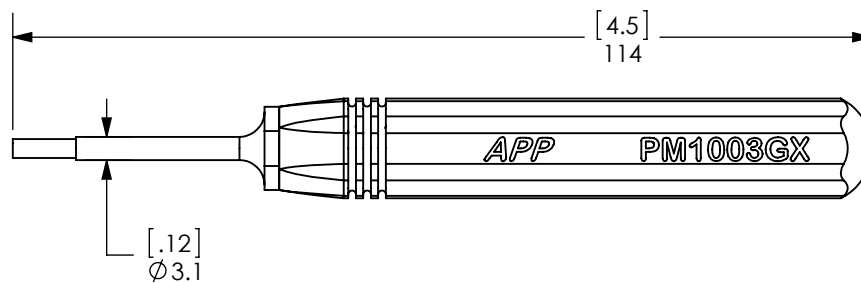
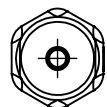
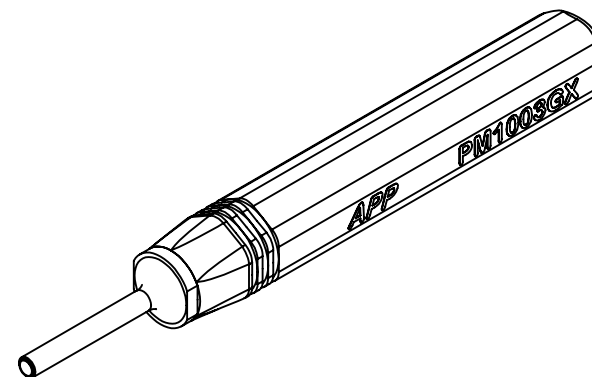


THE INFORMATION CONTAINED IN THIS DRAWING IS THE SOLE PROPERTY OF ANDERSON POWER PRODUCTS. ANY REPRODUCTION IN PART OR WHOLE WITHOUT THE WRITTEN PERMISSION OF ANDERSON POWER PRODUCTS IS PROHIBITED.


**Copyright 2015**

ANDERSON POWER PRODUCTS RESERVES THE RIGHT TO ALTER PRODUCT TYPES, THEIR TECHNICAL DATA, DIMENSION, STYLE AND ACCESSORIES WITHOUT PRIOR NOTIFICATION.



**NOTES:**

1. REFER TO 1S6640 FOR USER INSTRUCTIONS
2. MATERIALS:
  - HANDLE- ALUMINUM
  - MANDREL/TUBE - STAINLESS STEEL

DIMENSIONS ARE IN:		MM [INCH]	<b>APPROVALS</b>		 <b>ANDERSON POWER PRODUCTS</b> TITLE CAT. NO. PM1003GX: POWERMOD CONTACT INSERTION PROOF TOOL
UNLESS OTHERWISE STATED			<b>DRAWN</b>		
TOLERANCES:			<b>CMS</b>	2/26/2015	
DECIMALS (INCH)	DECIMALS (MM)	ANGLES	<b>CHECKED</b>		
.XX ± .02	.X ± .5	±2°	<b>NTS</b>	3/13/2015	
SURFACE FINISH:			<b>MFG APPRV</b>		
<b>MACHINED</b>	3.2µ [128µin]	✓	<b>CHB</b>	3/13/2015	
<b>MOLDED</b>	1.6µ [64µin]	✓	<b>QC APPRV</b>		
<b>MATERIAL:</b>			<b>ASF</b>	3/16/2015	
<b>SEE NOTES</b>			<b>ENG APPRV</b>		
<b>FINISH:</b>			<b>CLY</b>	3/16/2015	
<b>SIZE</b>		<b>DWG NO.</b>	<b>REV.</b>		
A		115432S1	0		
<b>SCALE</b>		<b>CADFILE</b>	<b>SHEET</b>		
NONE		04474	1 OF 1		

REV.	DESCRIPTION	APPRV	DATE
REVISIONS			