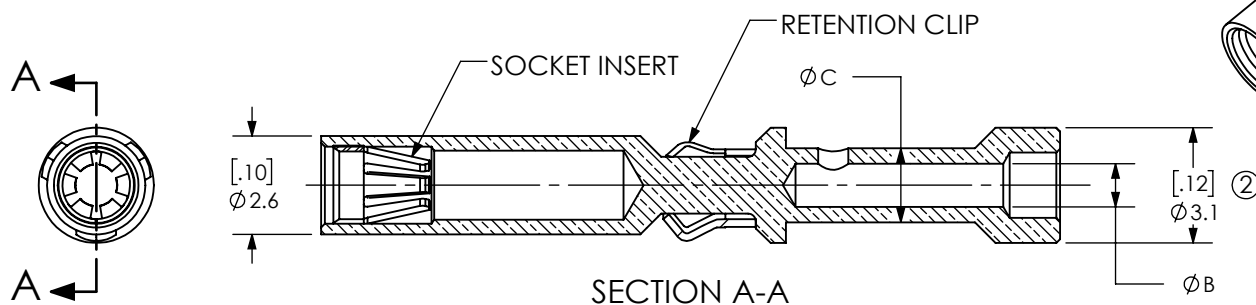
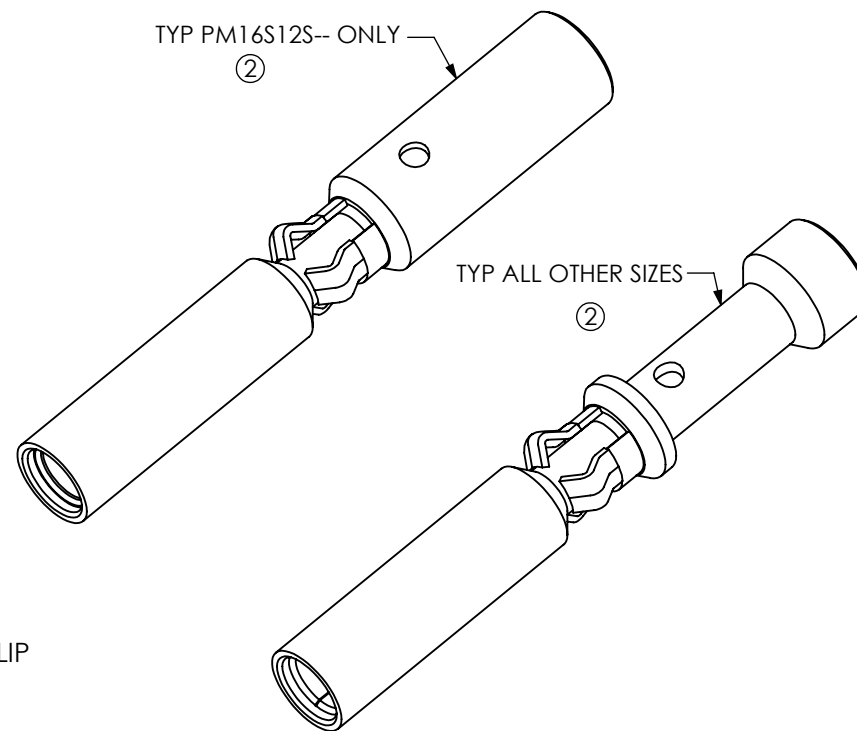


THE INFORMATION CONTAINED IN THIS DRAWING IS THE SOLE PROPERTY OF ANDERSON POWER PRODUCTS. ANY REPRODUCTION IN PART OR WHOLE WITHOUT THE WRITTEN PERMISSION OF ANDERSON POWER PRODUCTS IS PROHIBITED.

Copyright 2006

ANDERSON POWER PRODUCTS RESERVES THE RIGHT TO ALTER PRODUCT TYPES, THEIR TECHNICAL DATA, DIMENSION, STYLE AND ACCESSORIES WITHOUT PRIOR NOTIFICATION.

Part No.	AWG	④ DIA B		④ DIA C	
		mm	IN	mm	IN
PM16S2024S32	20/22/24	1.1	.04	2.0	.08
PM16S1620S32	16/18/20	1.7	.07	2.8	.11
PM16S1416S32	14/16	2.1	.08	2.8	.11



- NOTES:
- MATERIAL:  
CONTACT BODY: BRASS  
SOCKET INSERT: BeCu  
RETENTION CLIP: STAINLESS STEEL
  - FINISH: LEAD FREE  
CONTACT BODY- BRIGHT TIN OVER NICKEL  
SOCKET INSERT- GOLD OVER NICKEL
  - CRIMP CONTACT ONTO WIRE BEFORE INSERTING INTO HOUSING

DIMENSIONS ARE IN:		MM [INCH]	APPROVALS	
UNLESS OTHERWISE STATED			DRAWN	CMS 1/30/06
TOLERANCES:			CHECKED	DJD 1/31/06
DECIMALS (INCH)	DECIMALS (MM)	ANGLES	MFG APP	CHB 2/3/06
.XX ± .02	.X ± .5	±2°	QC APP	JA 1/30/06
SURFACE FINISH:			ENG APP	UFN 2/3/06
ISO 1302 ✓				
MATERIAL: SEE NOTES				
FINISH: SEE NOTES				
3rd ANGLE PROJECTION				

ANDERSON POWER PRODUCTS		TITLE	
POWERMOD FEMALE CRIMP CONTACTS		SCALE	
SIZE	DWG NO.	REV.	
A/A4	114646S1	4	
CAD FILE	CAD FILE	SHEET	
NONE	02499	1 OF 1	

REV.	DESCRIPTION OF CHANGES	APPROVED	DATE
4	ECN 2023-0045 - REPLACED MISSING "B" AND "C" ON TABLE	CPD	6/6/2023
3	ECRN 15840: REMOVE PART NO'S WITH S30 SUFFIX; REMOVE PLATING COLUMN FROM TABLE; CHANGE NOTE 2 ACCORDINGLY	BCS	7/7/2015
2	ECRN 14485: ADD Ø3.1, ADD ISO VIEW FOR #12 CONTACT	CMS	9/11/09
1	ECRN 14034	CMS	6/19/06