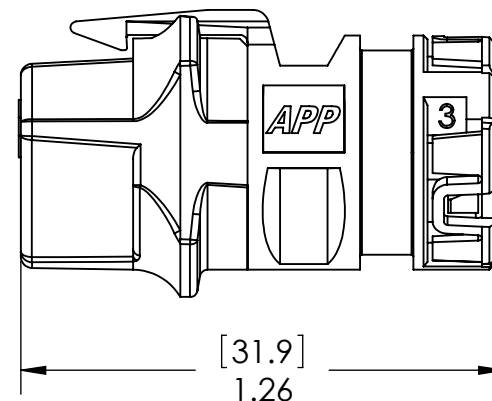
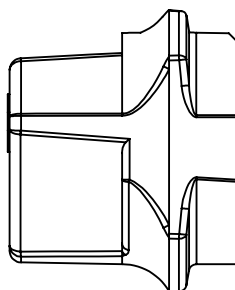
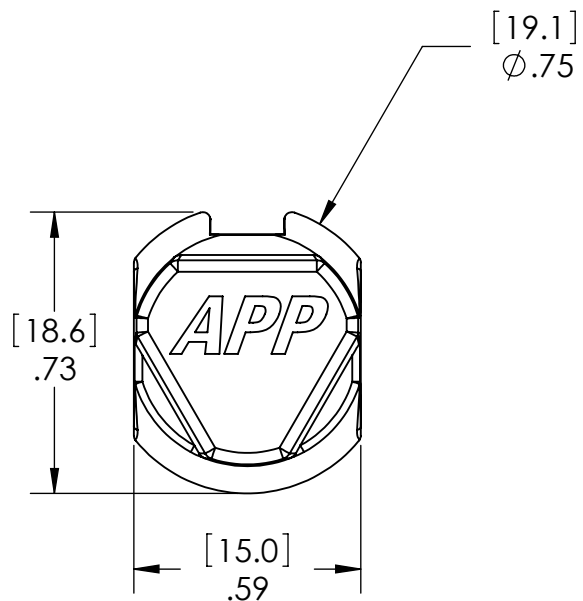
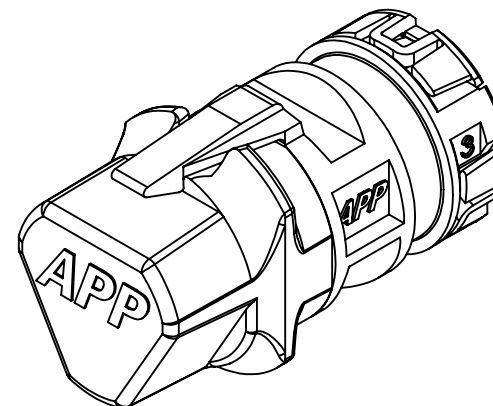
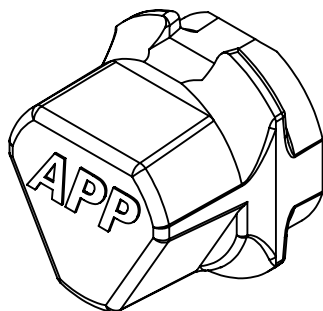
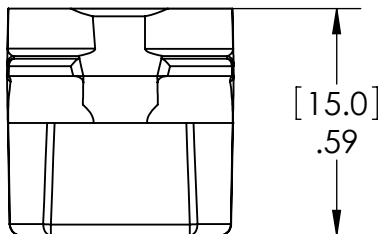


8 7 6 5 4 3 2 1

THE INFORMATION CONTAINED IN THIS DRAWING IS THE SOLE PROPERTY OF ANDERSON POWER PRODUCTS. ANY REPRODUCTION IN PART OR WHOLE WITHOUT THE WRITTEN PERMISSION OF ANDERSON POWER PRODUCTS IS PROHIBITED.

Copyright 2010

ANDERSON POWER PRODUCTS RESERVES THE RIGHT TO ALTER PRODUCT TYPES, THEIR TECHNICAL DATA, DIMENSION, STYLE AND ACCESSORIES WITHOUT PRIOR NOTIFICATION.



CAP WITH RECEPTACLE SK1-016M03

DIMENSIONS ARE IN:		INCH [MM]		APPROVALS		ANDERSON POWER PRODUCTS	
UNLESS OTHERWISE STATED				DRAWN	NTS	8/13/2010	TITLE
TOLERANCES:				CHECKED	CMS	8/13/2010	
DECIMALS (INCH)	DECIMALS (MM)	ANGLES		MFG APPRV	BD	8/13/2010	3 POSITION MINI SPEC PAK™ RECEPTACLE CAP SK9-016
.XX ±.02	.X ±.5	±2°		QC APPRV	UFN	8/13/2010	
SURFACE FINISH:				ENG APPRV	BD	8/13/2010	
MATERIAL:				PC, BLACK		SIZE	DWG NO.
FINISH:						A	114967S1
						SCALE	CADFILE
						NONE	03117
						REV.	1
						SHEET	1 OF 1

1	ECRN 14794	NTS	12/15/2010
REV.	DESCRIPTION	APPRV	DATE
REVISIONS			

8 7 6 5 4 3 2 1