

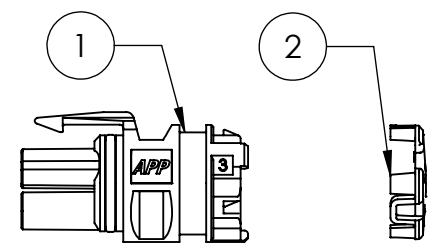
THE INFORMATION CONTAINED IN THIS DRAWING IS THE SOLE PROPERTY OF ANDERSON POWER PRODUCTS. ANY REPRODUCTION IN PART OR WHOLE WITHOUT THE WRITTEN PERMISSION OF ANDERSON POWER PRODUCTS IS PROHIBITED.

Copyright 2010

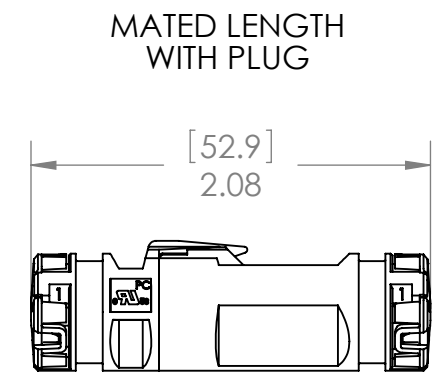
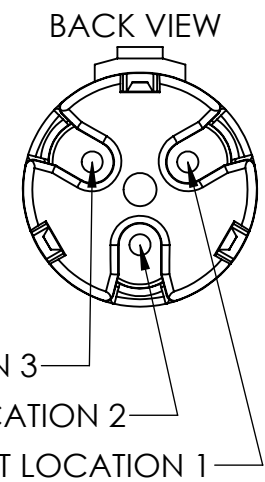
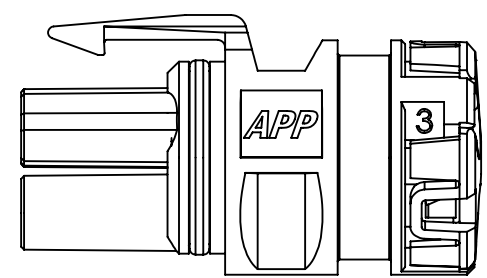
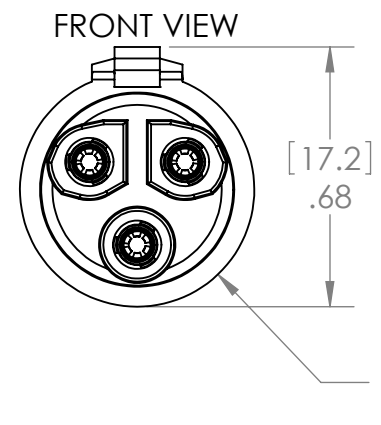
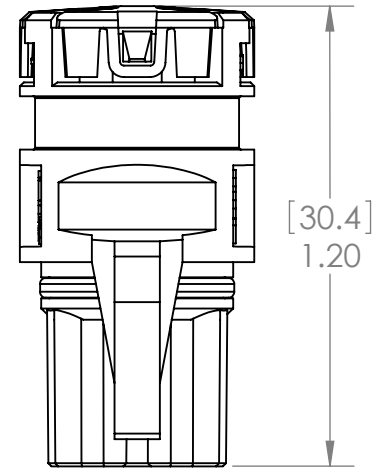
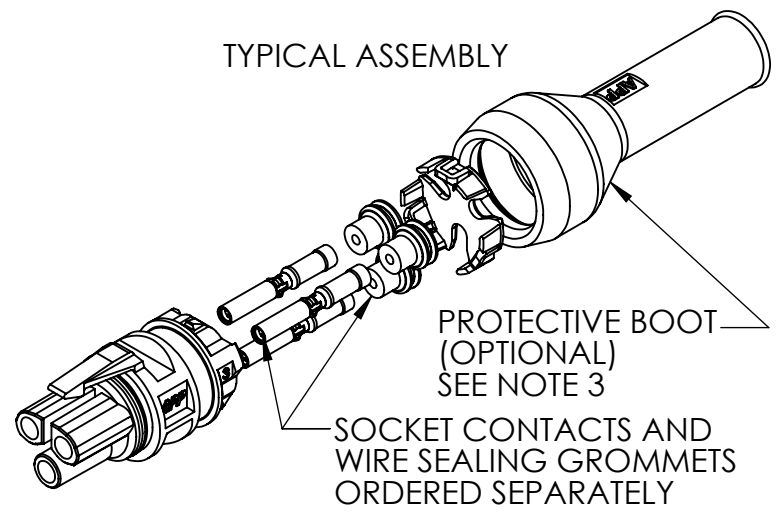
ANDERSON POWER PRODUCTS RESERVES THE RIGHT TO ALTER PRODUCT TYPES, THEIR TECHNICAL DATA, DIMENSION, STYLE AND ACCESSORIES WITHOUT PRIOR NOTIFICATION.

RECEPTACLE KIT

ITEM	QTY	DESCRIPTION
1	1	RECEPTACLE HOUSING W/ O-RING
2	1	GROMMET RETENTION COVER



TYPICAL ASSEMBLY



- NOTES:**
- MATERIAL:**
 - A. RECEPTACLE HOUSING: PC, BLACK
 - B. SEAL COVER: PC, BLACK
 - C. WIRE SEAL: SILICONE
 - REFER TO ASSEMBLY INSTRUCTIONS 1S6525
 - REFER TO 115046S1 FOR PROTECTIVE BOOT
 - MAX WIRE INSULATION DIAMETER ϕ .105[2.66]

DIMENSIONS ARE IN:	INCH [MM]
UNLESS OTHERWISE STATED	
TOLERANCES:	
DECIMALS (INCH)	DECIMALS (MM) ANGLES
.XX ±.02	.X ±.5 ±2°
SURFACE FINISH:	
MACHINED	128 [3.2] ✓
MOLDED	64 [1.6] ✓
MATERIAL: SEE NOTES	
FINISH: N/A	

APPROVALS

DRAWN	NTS	12/13/2010
CHECKED	LLD	12/14/2010
MFG APPRV	CHB	12/14/2010
QC APPRV	UFN	12/15/2010
ENG APPRV	CHB_BD	12/14/2010

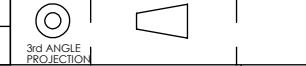
ANDERSON POWER PRODUCTS

TITLE

3 POSITION MINI SPEC PAK™ RECEPTACLE KIT SK1-016M03

SIZE A DWG NO. 115044S1 REV. 1

REV.	DESCRIPTION	APPRV	DATE
1	ECRN-14882 MAX WIRE INSULATION ϕ ADDED	TWE	4/11/11
REVISIONS			



-CAD GENERATED DRAWING-
DO NOT MANUALLY UPDATE
DO NOT SCALE

SCALE	CADFILE	SHEET
NONE	03334	1 OF 1