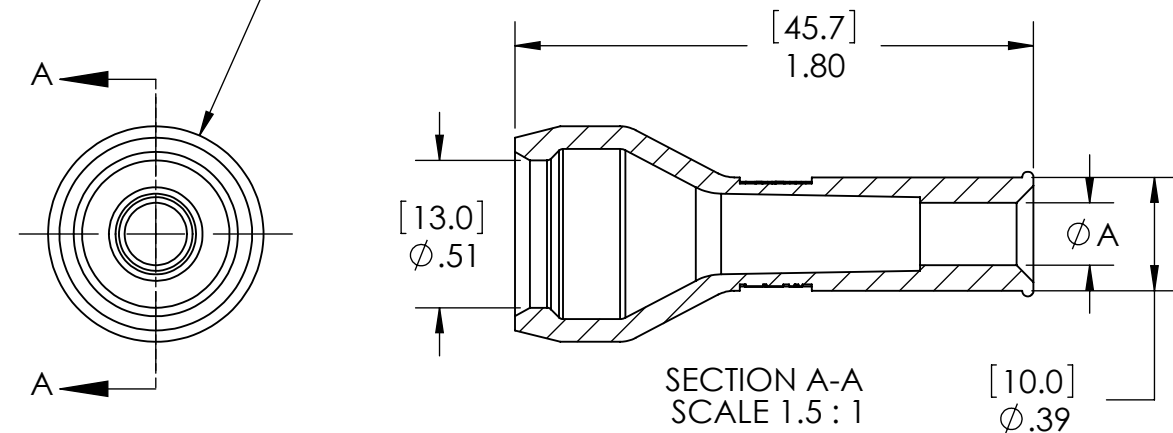
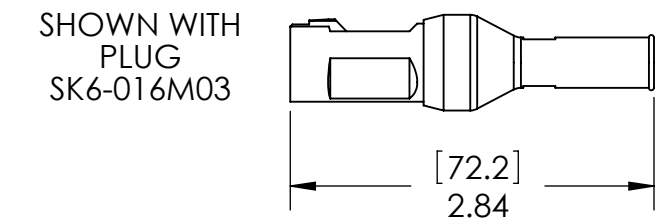
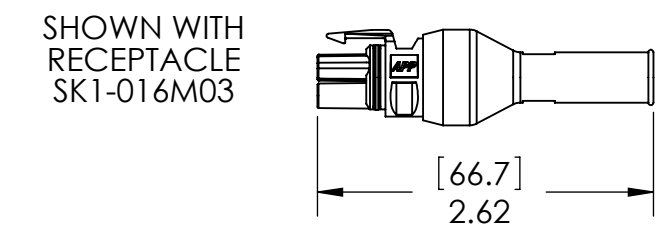
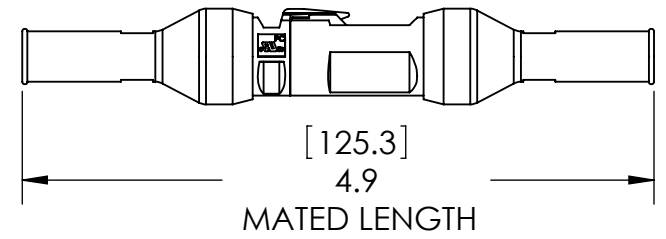
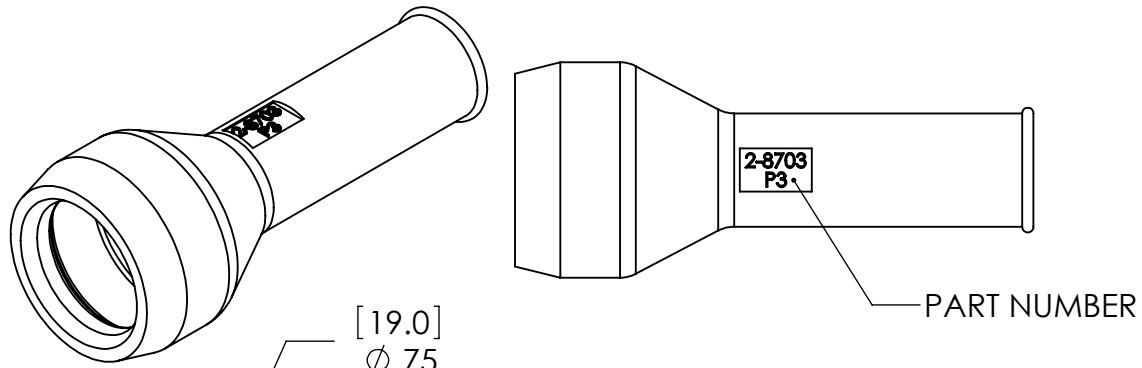


THE INFORMATION CONTAINED IN THIS DRAWING IS THE SOLE PROPERTY OF ANDERSON POWER PRODUCTS. ANY REPRODUCTION IN PART OR WHOLE WITHOUT THE WRITTEN PERMISSION OF ANDERSON POWER PRODUCTS IS PROHIBITED.

Copyright 2010

ANDERSON POWER PRODUCTS RESERVES THE RIGHT TO ALTER PRODUCT TYPES, THEIR TECHNICAL DATA, DIMENSION, STYLE AND ACCESSORIES WITHOUT PRIOR NOTIFICATION.



P/N	Ø A
2-8703P3	[.22] Ø 5.5
2-8703P4	[.260] Ø 6.5

NOTES:
1. REFER TO ASSEMBLY INSTRUCTIONS 1S6525.

DIMENSIONS ARE IN: INCH [MM]		APPROVALS		ANDERSON POWER PRODUCTS		
UNLESS OTHERWISE STATED		DRAWN	NTS	12/13/2010	TITLE 3 POSITION MINI SPEC PAK™ PROTECTIVE BOOTS	
TOLERANCES:		CHECKED	LLD	12/14/2010		
DECIMALS (INCH)	DECIMALS (MM)	ANGLES	MFG APPRV	CHB		12/14/2010
.XX ± .02	.X ± .5	±2°	QC APPRV	UJN		12/15/2010
SURFACE FINISH:		ENG APPRV	CHB_BD	12/14/2010	SIZE A	
MACHINED	128 [3.2] ✓	MATERIAL:		DWG NO.	115046S1	
MOLDED	64 [1.6] ✓	FINISH:		REV.	0	
3rd ANGLE PROJECTION		-CAD GENERATED DRAWING- DO NOT MANUALLY UPDATE DO NOT SCALE		SCALE	NONE	
		CADFILE		SHEET	1 OF 1	
		03336				