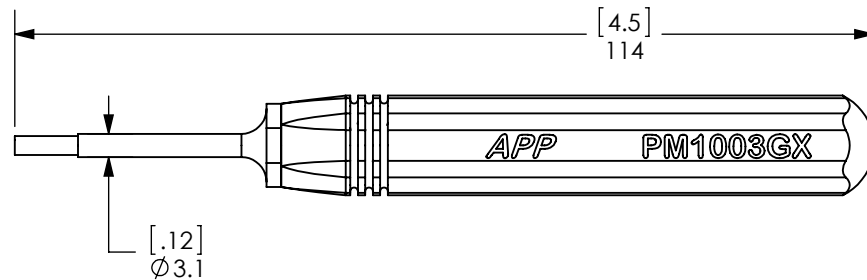
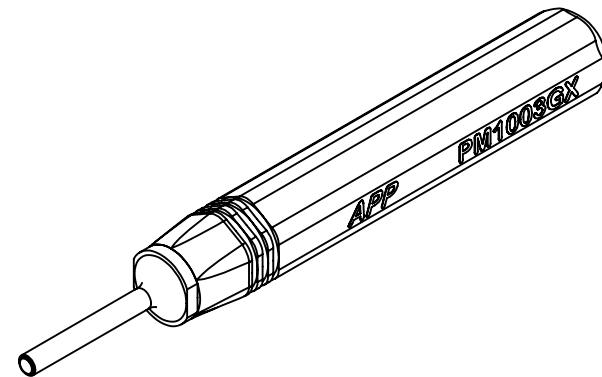


THE INFORMATION CONTAINED IN THIS DRAWING IS THE SOLE PROPERTY OF ANDERSON POWER PRODUCTS. ANY REPRODUCTION IN PART OR WHOLE WITHOUT THE WRITTEN PERMISSION OF ANDERSON POWER PRODUCTS IS PROHIBITED.

**Copyright 2015**

ANDERSON POWER PRODUCTS RESERVES THE RIGHT TO ALTER PRODUCT TYPES, THEIR TECHNICAL DATA, DIMENSION, STYLE AND ACCESSORIES WITHOUT PRIOR NOTIFICATION.



**NOTES:**

1. REFER TO 1S6640 FOR USER INSTRUCTIONS
2. MATERIALS:
  - HANDLE- ALUMINUM
  - MANDREL/TUBE - STAINLESS STEEL

DIMENSIONS ARE IN:		MM [INCH]	<b>APPROVALS</b>		<p><b>ANDERSON POWER PRODUCTS</b></p> <p><b>TITLE</b></p> <p>CAT. NO. PM1003GX: POWERMOD CONTACT INSERTION PROOF TOOL</p>		
UNLESS OTHERWISE STATED			<b>DRAWN</b>	CMS 2/26/2015			
TOLERANCES:			<b>CHECKED</b>	NTS 3/13/2015			
DECIMALS (INCH)	DECIMALS (MM)	ANGLES	<b>MFG APPRV</b>	CHB 3/13/2015			
.XX ± .02	.X ± .5	±2°	<b>QC APPRV</b>	ASF 3/16/2015			
SURFACE FINISH:			<b>ENG APPRV</b>	CLY 3/16/2015	<b>SIZE</b>	<b>DWG NO.</b>	<b>REV.</b>
MACHINED 3.2µ [128µin] ✓			SEE NOTES		A	115432S1	0
MOLDED 1.6µ [64µin] ✓			FINISH:		<b>SCALE</b>	<b>CADFILE</b>	<b>SHEET</b>
MATERIAL:			-CAD GENERATED DRAWING- DO NOT MANUALLY UPDATE DO NOT SCALE		NONE	04474	1 OF 1
3rd ANGLE PROJECTION							

REV.	DESCRIPTION	APPRV	DATE
REVISIONS			