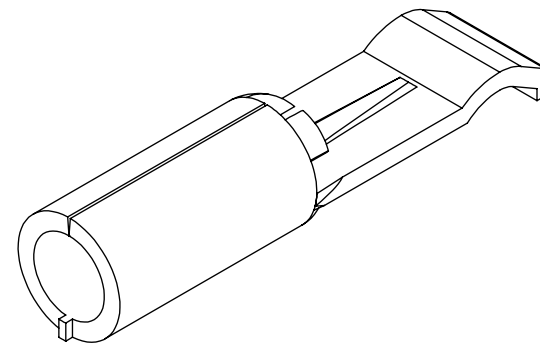
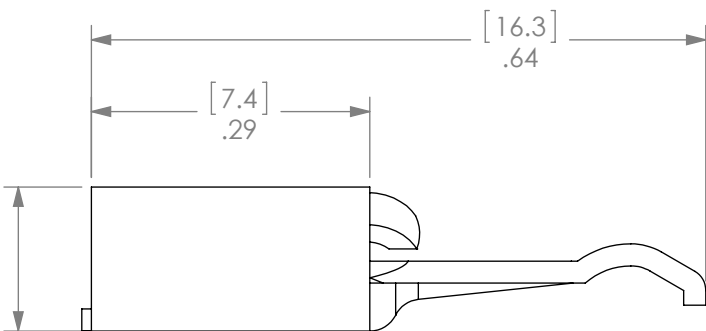
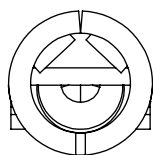
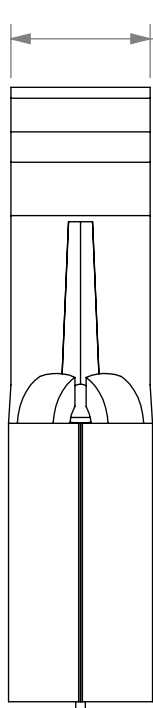


THE INFORMATION CONTAINED IN THIS DRAWING IS THE SOLE PROPERTY OF ANDERSON POWER PRODUCTS. ANY REPRODUCTION IN PART OR WHOLE WITHOUT THE WRITTEN PERMISSION OF ANDERSON POWER PRODUCTS IS PROHIBITED.

Copyright 1997

ANDERSON POWER PRODUCTS RESERVES THE RIGHT TO ALTER PRODUCT TYPES, THEIR TECHNICAL DATA, DIMENSION, STYLE AND ACCESSORIES WITHOUT PRIOR NOTIFICATION.



[3.8] .15

DIMENSIONS ARE IN:		INCH [MM]		<i>APPROVALS</i>		ANDERSON POWER PRODUCTS							
UNLESS OTHERWISE STATED				DRAWN	RLE	3/11/1997							
TOLERANCES:				CHECKED	DJD	10/9/2001							
DECIMALS (INCH)	DECIMALS (MM)	ANGLES		MFG APPRV	CHB	10/21/2001							
.XX ± .02	.X ± .5	±2°		QC APPRV	RPO	10/10/2001							
SURFACE FINISH:				ENG APPRV	UFN	3/11/1997							
MACHINED		128µin [3.2µ]		<table border="1"> <tr> <td>SIZE</td> <td>DWG NO.</td> <td>REV.</td> </tr> <tr> <td>A</td> <td>114018S2</td> <td>3</td> </tr> </table>				SIZE	DWG NO.	REV.	A	114018S2	3
SIZE	DWG NO.	REV.											
A	114018S2	3											
MOLDED		64µin [1.6µ]											
MATERIAL:				<table border="1"> <tr> <td>SCALE</td> <td>CADFILE</td> <td>SHEET</td> </tr> <tr> <td>NONE</td> <td>01057</td> <td>1 OF 1</td> </tr> </table>				SCALE	CADFILE	SHEET	NONE	01057	1 OF 1
SCALE	CADFILE	SHEET											
NONE	01057	1 OF 1											
COPPER													
FINISH:				-CAD GENERATED DRAWING- DO NOT MANUALLY UPDATE DO NOT SCALE									
SILVER PLATE													
3rd ANGLE PROJECTION													

REV.	DESCRIPTION	APPRV	DATE
3	ECRN-15550	TWE	1/15/2014
2	ECRN-13433	CMS	10/23/01
1	ECRN-13220 REDRAWN	CMS	8/25/99

REVISIONS