

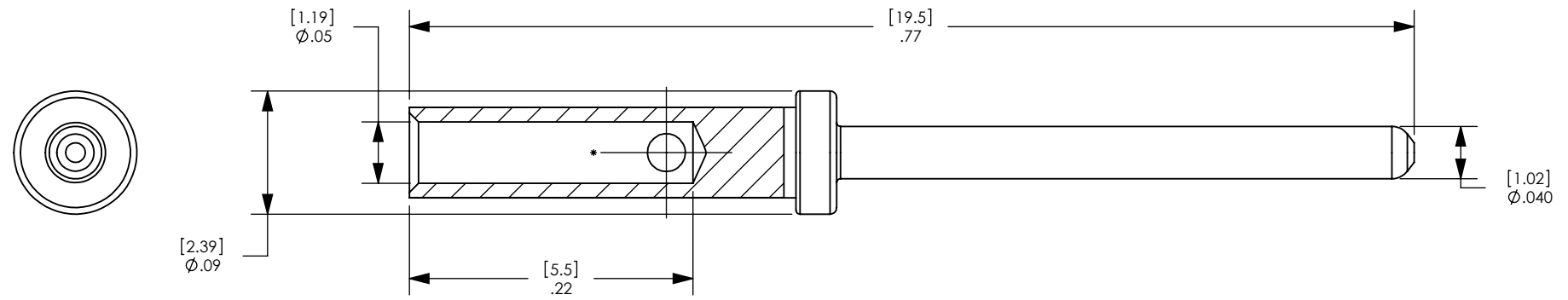
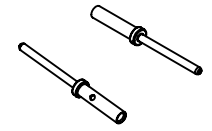
8 | 7 | 6 | 5 | 4 | 3 | 2 | 1

THE INFORMATION CONTAINED IN THIS DRAWING IS THE SOLE PROPERTY OF ANDERSON POWER PRODUCTS. ANY REPRODUCTION IN PART OR WHOLE WITHOUT THE WRITTEN PERMISSION OF ANDERSON POWER PRODUCTS IS PROHIBITED.

**Copyright 2010**

ANDERSON POWER PRODUCTS RESERVES THE RIGHT TO ALTER PRODUCT TYPES, THEIR TECHNICAL DATA, DIMENSION, STYLE AND ACCESSORIES WITHOUT PRIOR NOTIFICATION.

ACTUAL SIZE



PART NO. 4803G3-BK

- NOTES:  
 1. MATERIAL: BRASS  
 2. PLATING: GOLD PLATE

DIMENSIONS ARE IN: INCH[MM]		<b>APPROVALS</b>		ANDERSON POWER PRODUCTS	
UNLESS OTHERWISE STATED		DRAWN	LLD	12/23/10	TITLE PPMX #20-24 AWG CRIMP PIN
TOLERANCES: DECIMALS (INCH) DECIMALS (MM) ANGLES		CHECKED	CMS	12/23/10	
.XX ± .015 X ± .1 ± .5° .XXX ± .005 .XX ± .05		MFG APP	CHB	12/23/10	
SURFACE FINISH: MACHINED 128 [3.2] ✓ MOLDED 64 [1.6] ✓		QC APP	UFN	1/3/11	
MATERIAL: SEE NOTES		ENG APP	BD	1/3/11	SIZE A/A4
FINISH: SEE NOTES				DWG NO. 114943S1	REV. 0
				SCALE 8:1	CADFILE 03363
				SHEET 1 OF 1	

REV.	DESCRIPTION	APPRV	DATE
REVISIONS			

8 | 7 | 6 | 5 | 4 | 3 | 2 | 1