

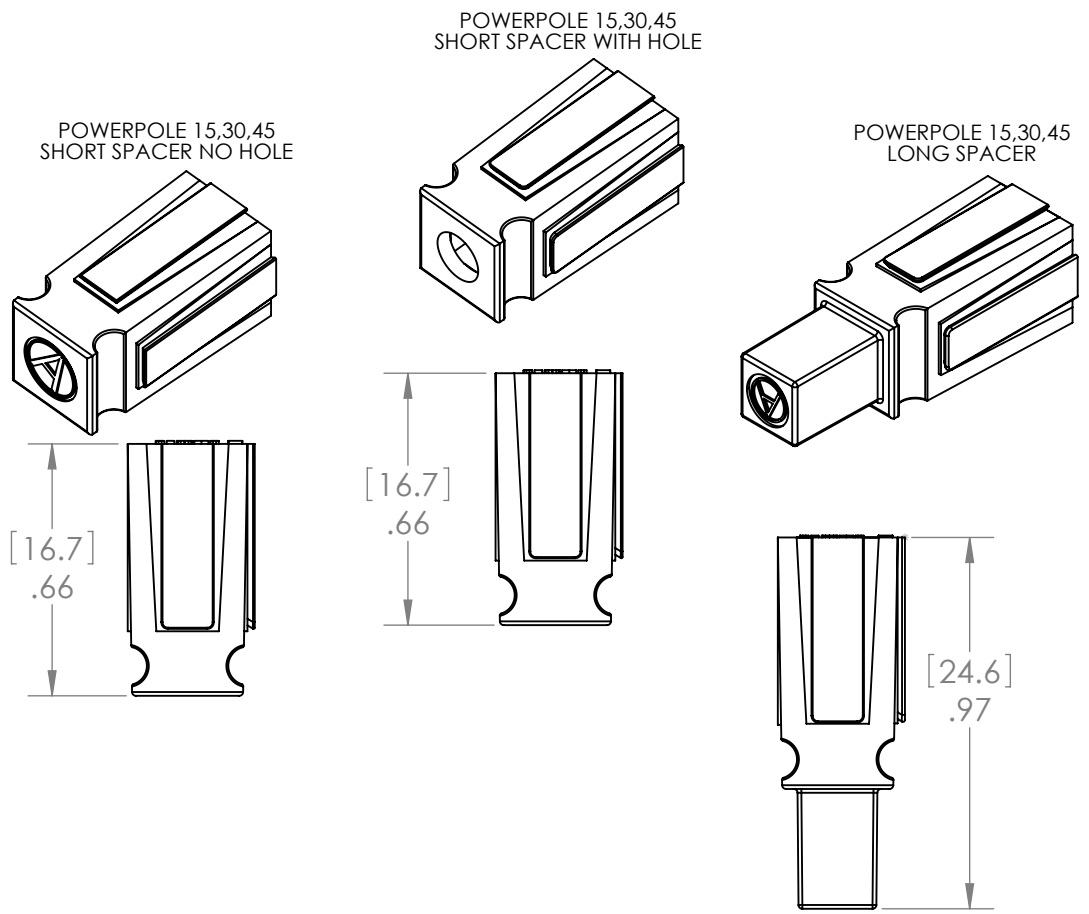
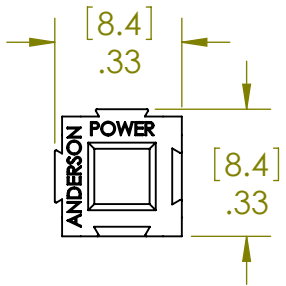
THE INFORMATION CONTAINED IN THIS DRAWING IS THE SOLE PROPERTY OF ANDERSON POWER PRODUCTS. ANY REPRODUCTION IN PART OR WHOLE WITHOUT THE WRITTEN PERMISSION OF ANDERSON POWER PRODUCTS IS PROHIBITED.

Copyright 2010

ANDERSON POWER PRODUCTS RESERVES THE RIGHT TO ALTER PRODUCT TYPES, THEIR TECHNICAL DATA, DIMENSION, STYLE AND ACCESSORIES WITHOUT PRIOR NOTIFICATION.

D
C
B
A

D
C
B
A



POWERPOLE 15/30/45 LONG SPACER	
CATALOG NUMBER	COLOR
1399G2	RED
1399G10	BLACK
1399G17	WHITE
1399G19	GRAY

POWERPOLE 15/30/45 SHORT SPACER		
CATALOG NUMBER	COLOR	HOLE
1399G1	RED	YES
1399G6	RED	NO
1399G13	BLUE	NO
1399G14	WHITE	YES
1399G16	GRAY	YES
1399G25	WHITE	NO
1399G26	BLACK	NO

NOTES:

- THESE SPACERS ARE INTENDED TO PROVIDE A KEYING FEATURE TO POWERPOLE ARRAYS. A SHORT SPACER ON ONE HALF OF THE MATED PAIR AND A LONG SPACER ON THE OTHER HALF OF THE MATED PAIR CREATE THE POLARIZED KEY.

REV.	DESCRIPTION	APPRV	DATE
10	ECRN-15446	TWE	7/25/2013
9	ECRN-15407	TWE	5/14/2013
8	ECRN-14998	TWE	10/24/11
7	ECRN 14801: UPDATED DRAWING	JHN	12/17/2010
6	ECRN 14727: ADDED BLUE SPACER 1399G13	LLD	10/5/10
5	ECRN 13506 : ADDED 1399G6	CMS	08/01/2002

REVISIONS

DIMENSIONS ARE IN:	INCH [MM]	APPROVALS		<p>ANDERSON POWER PRODUCTS</p> <p>TITLE</p> <p>CATALOG NUMBER 1399 SERIES POWERPOLE® 15/30/45 SERIES SHORT AND LONG SPACERS</p>
UNLESS OTHERWISE STATED		DRAWN	10/2/1978	
TOLERANCES:		CHECKED	10/12/1978	
DECIMALS (INCH) .XX ±.02		DWR	10/12/1978	
DECIMALS (MM) .X ±.5		ANGLES ±2°		
SURFACE FINISH:		MFG APPRV	10/12/1978	
MACHINED 128 [3.2] ✓		JGF		
MOLDED 64 [1.6] ✓		QC APPRV		
MATERIAL: POLYCARBONATE UL 94V-0.		ENG APPRV		
FINISH: AS MOLDED				
		-CAD GENERATED DRAWING- DO NOT MANUALLY UPDATE DO NOT SCALE		SIZE A DWG NO. 112530S1 REV. 10
		SCALE NONE	CADFILE 00864	SHEET 1 OF 1