

8                      7                      6                      5                      4                      3                      2                      1

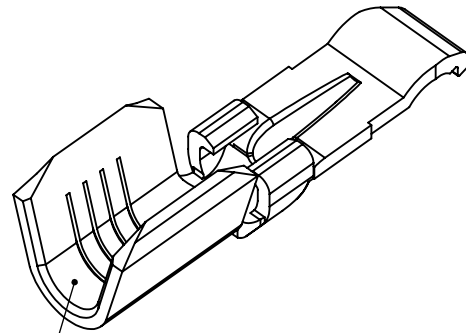
THE INFORMATION CONTAINED IN THIS DRAWING IS THE SOLE PROPERTY OF ANDERSON POWER PRODUCTS. ANY REPRODUCTION IN PART OR WHOLE WITHOUT THE WRITTEN PERMISSION OF ANDERSON POWER PRODUCTS IS PROHIBITED.

**Copyright 2009**

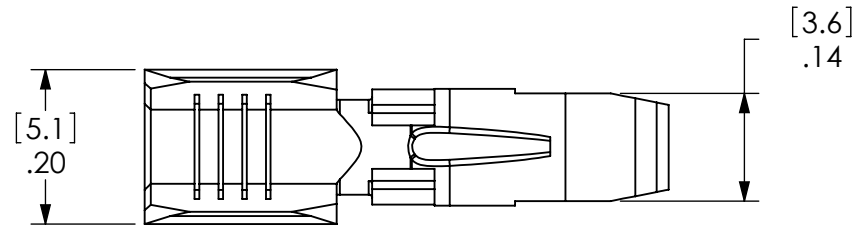
ANDERSON POWER PRODUCTS RESERVES THE RIGHT TO ALTER PRODUCT TYPES, THEIR TECHNICAL DATA, DIMENSION, STYLE AND ACCESSORIES WITHOUT PRIOR NOTIFICATION.

D

D

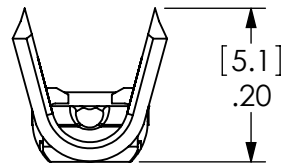


BARREL FOR  
#10-14 AWG WIRE



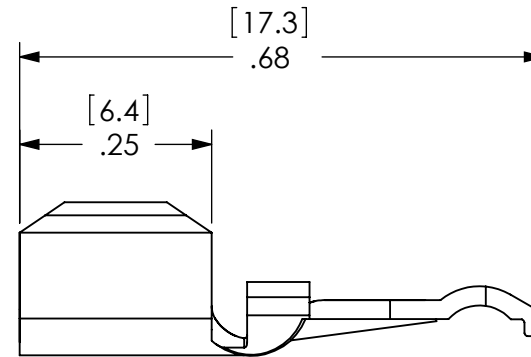
C

C



B

B



A

A

DIMENSIONS ARE IN: INCH[MM]		<b>APPROVALS</b>		<b>ANDERSON POWER PRODUCTS</b>		
UNLESS OTHERWISE STATED		DRAWN	NTS			6/18/09
TOLERANCES:		CHECKED	DJD	6/18/09	<b>TITLE</b> CATALOG #261G3 PP45 REEL CONTACT TYPE "F" CRIMP	
DECIMALS (INCH)	DECIMALS (MM)	ANGLES	MFG APP	CHB		6/18/09
.XX ± .02	.X ± .5	±2°	QC APP	UFN		6/18/09
SURFACE FINISH:		ENG APP		BD		6/18/09
MACHINED 128 [3.2]		SIZE		A/A4	DWG NO.	
MOLDED 64 [1.6]		SCALE		NONE	112718S7	
MATERIAL: COPPER		SHEET		02926	REV. 0	
FINISH: SILVER PLATE		SHEET		1	OF 1	

*	*****	***	*****
REV.	DESCRIPTION OF CHANGES	APPROVED	DATE

8                      7                      6                      5                      4                      3                      2                      1



-CAD GENERATED DRAWING-  
DO NOT MANUALLY UPDATE  
DO NOT SCALE