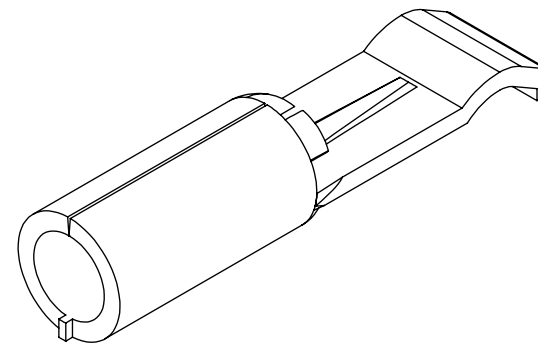
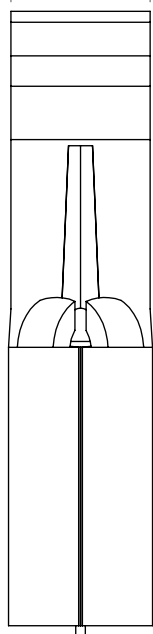


THE INFORMATION CONTAINED IN THIS DRAWING IS THE SOLE PROPERTY OF ANDERSON POWER PRODUCTS. ANY REPRODUCTION IN PART OR WHOLE WITHOUT THE WRITTEN PERMISSION OF ANDERSON POWER PRODUCTS IS PROHIBITED.

Copyright 1997

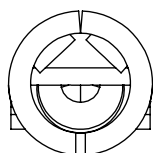
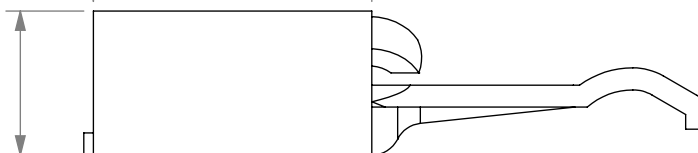
ANDERSON POWER PRODUCTS RESERVES THE RIGHT TO ALTER PRODUCT TYPES, THEIR TECHNICAL DATA, DIMENSION, STYLE AND ACCESSORIES WITHOUT PRIOR NOTIFICATION.

[3.7]
.15



[16.3]
.64

[7.4]
.29



[3.8]
.15

DIMENSIONS ARE IN:		INCH [MM]		<i>APPROVALS</i>		ANDERSON POWER PRODUCTS	
UNLESS OTHERWISE STATED				DRAWN	RLE	3/11/1997	
TOLERANCES:				CHECKED	DJD	10/9/2001	
DECIMALS (INCH)	DECIMALS (MM)	ANGLES		MFG APPRV	CHB	10/21/2001	
.XX ± .02	.X ± .5	±2°		QC APPRV	RPO	10/10/2001	
SURFACE FINISH:				ENG APPRV	UFN	3/11/1997	
MACHINED		128µin [3.2µ]		SIZE	A	DWG NO.	114018S2
MOLDED		64µin [1.6µ]		SCALE	NONE	CADFILE	01057
MATERIAL:				REV.		3	
COPPER				SHEET		1 OF 1	
FINISH:				-CAD GENERATED DRAWING-		DO NOT MANUALLY UPDATE	
SILVER PLATE				DO NOT SCALE			
3rd ANGLE PROJECTION							

REV.	DESCRIPTION	APPRV	DATE
3	ECRN-15550	TWE	1/15/2014
2	ECRN-13433	CMS	10/23/01
1	ECRN-13220 REDRAWN	CMS	8/25/99

REVISIONS