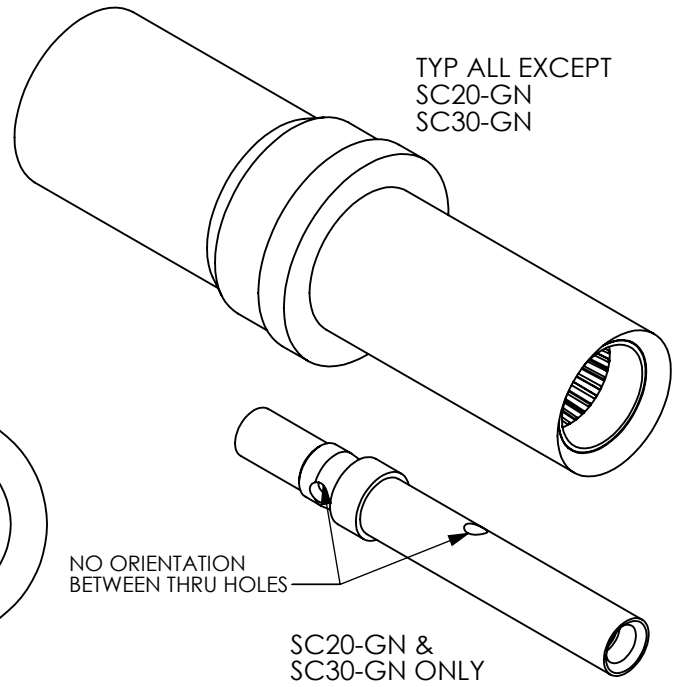
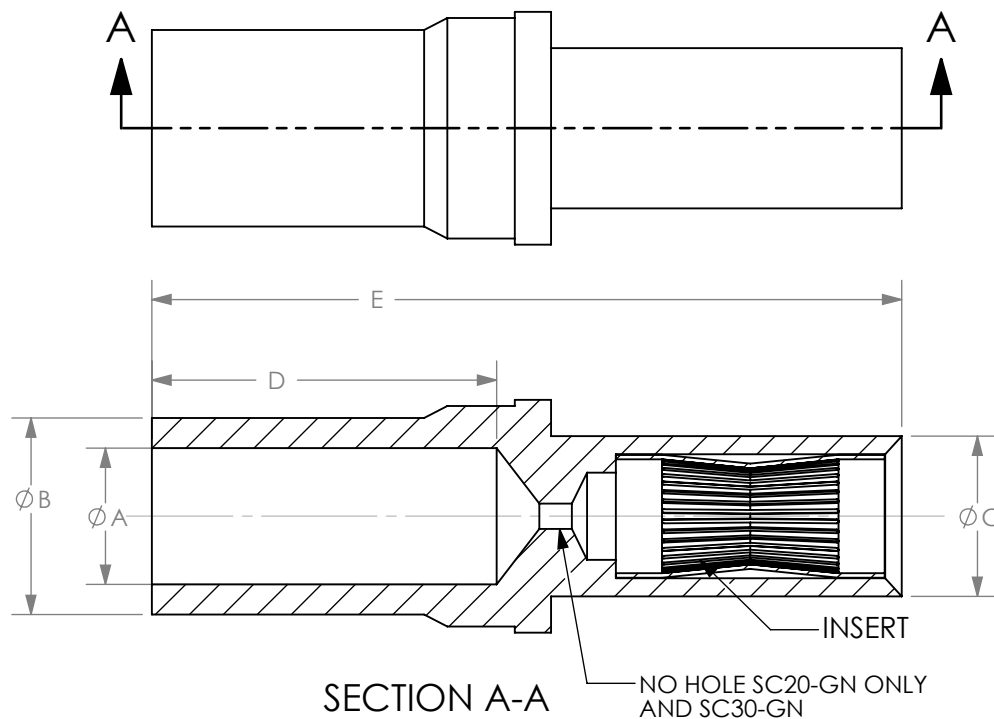


8 7 6 5 4 3 2 1

THE INFORMATION CONTAINED IN THIS DRAWING IS THE SOLE PROPERTY OF ANDERSON POWER PRODUCTS. ANY REPRODUCTION IN PART OR WHOLE WITHOUT THE WRITTEN PERMISSION OF ANDERSON POWER PRODUCTS IS PROHIBITED.

**Copyright 2011**

ANDERSON POWER PRODUCTS RESERVES THE RIGHT TO ALTER PRODUCT TYPES, THEIR TECHNICAL DATA, DIMENSION, STYLE AND ACCESSORIES WITHOUT PRIOR NOTIFICATION.



- NOTES:**
1. SC08-SN FOR USE IN 75 AMP POWER DRAWER ONLY
  2. SC16-SN FOR USE IN 35 AMP POWER DRAWER ONLY
  3. CRIMP CONTACTS ONTO WIRE PRIOR TO INSERTION INTO HOUSING
  4. MATERIALS:  
 SOCKET BODY- SC08-SN, SC12-SN, SC16-SN, SC12-GH- COPPER  
 SC20-GN, SC30-GN- BRASS  
 SOCKET INSERT- BECU
  5. PLATING:  
 SOCKET BODY- SC08-SN, SC16-SN, AND SC12-SN: SILVER OVER NICKEL  
 SC20-GN, SC30-GN BODY: GOLD OVER NICKEL  
 SOCKET INSERT- GOLD OVER NICKEL
  5. LUBE PER SPEC 1S1136

DIM	A	B	C	D	E	
PART NO.	IN[MM]	IN[MM]	IN[MM]	IN[MM]	IN[MM]	DESCRIPTION
SC08-SN	.18[4.5]	.26[6.5]	.21[5.3]	.45[11.4]	.98[24.8]	#8 AWG
SC12-SN	.10[2.6]	.15[3.8]	.16[4.1]	.26[6.5]	.75[19.0]	#12 AWG
SC16-SN	.07[1.7]	.10[2.6]	.12[3.0]	.28[7.0]	.75[19.2]	#16 AWG
SC20-GN	.05[1.2]	.08[2.0]	.08[2.1]	.20[5.2]	.69[17.4]	#20 AWG
SC30-GN	.03[0.7]	.08[2.0]	.08[2.1]	.20[5.2]	.69[17.4]	#30 AWG
SC12-GH	.10[2.6]	.16[4.0]	.16[4.1]	.26[6.5]	.75[19.1]	#12 AWG HOT PLUG SOCKET

REV	DESCRIPTION OF CHANGES	APPROVED	DATE
7	ECRN-14975	TWE	9/21/11
6	ECRN-14963	CMS	8/6/11
5	ECRN-14415	CHB	5/4/06
4	ECRN-14006	CMS	5/4/06
3	ECRN-13896	DD	8/25/05

DIMENSIONS ARE IN:	MM [INCH]	<b>APPROVALS</b>	
UNLESS OTHERWISE STATED		DRAWN	CMS 6/13/2003
TOLERANCES:		CHECKED	DJD 6/13/2003
DECIMALS (INCH)	DECIMALS (MM)	MFG APPRV	DAM 6/18/2003
2PL±.02[±.5]		QC APPRV	RPO 6/18/2003
MATERIAL: SEE NOTE 4		ENG APPRV	MAW 6/18/2003
FINISH: SEE NOTE 5		-CAD GENERATED DRAWING- DO NOT MANUALLY UPDATE DO NOT SCALE	

**ANDERSON POWER PRODUCTS**

**TITLE**  
 SOCKET CRIMP CONTACTS FOR POWER DRAWER SERIES CONNECTORS

**SIZE** A    **DWG NO.** 114444S1    **REV.** 7

**SCALE** 4:1    **CADFILE** 01768    **SHEET** 1 OF 1

8 7 6 5 4 3 2 1