

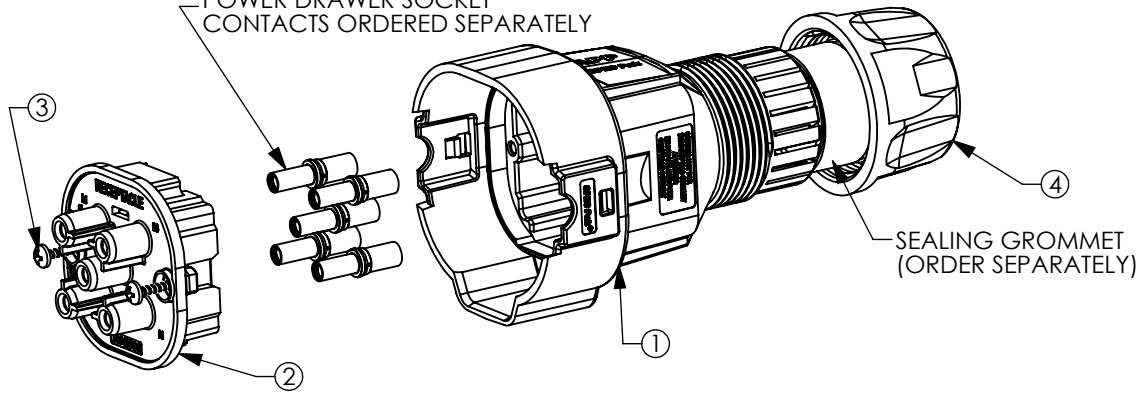
THE INFORMATION CONTAINED IN THIS DRAWING IS THE SOLE PROPERTY OF ANDERSON POWER PRODUCTS. ANY REPRODUCTION IN PART OR WHOLE WITHOUT THE WRITTEN PERMISSION OF ANDERSON POWER PRODUCTS IS PROHIBITED.

**Copyright 2015**

ANDERSON POWER PRODUCTS RESERVES THE RIGHT TO ALTER PRODUCT TYPES, THEIR TECHNICAL DATA, DIMENSION, STYLE AND ACCESSORIES WITHOUT PRIOR NOTIFICATION.

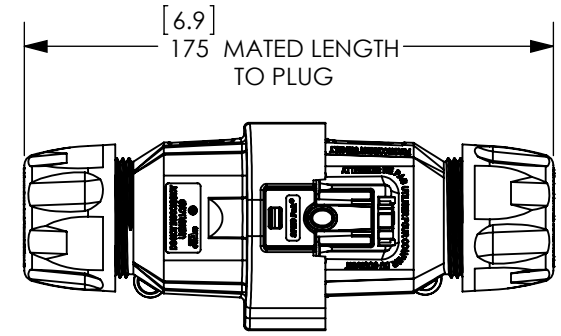
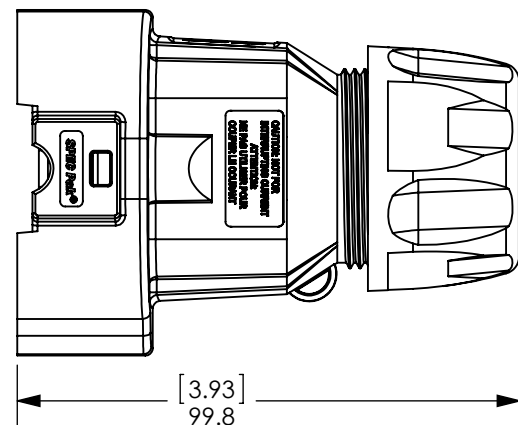
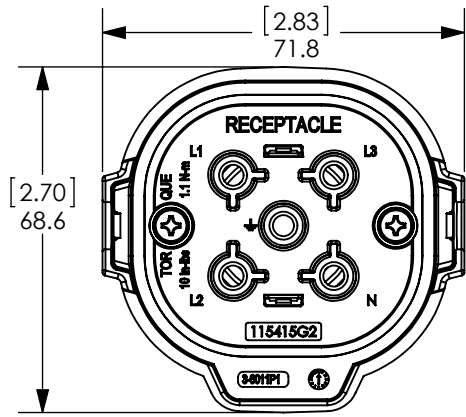
**EXPLODED VIEW**

POWER DRAWER SOCKET CONTACTS ORDERED SEPARATELY



**COMPONENTS INCLUDED**

ITEM	QTY	DESCRIPTION
1	1	IN-LINE RECEPTACLE SHELL WITH O-RING
2	1	5 POSITION RECEPTACLE HOLDER FOR POWER DRAWER CONTACTS (P/N 115415G2)
3	2	M3.5 SELF-TAPPING SCREWS
4	1	SEAL NUT



- NOTES:
- MATERIAL  
RECEPTACLE SHELL - PBT, BLACK  
HOLDER - PBT, BLACK  
NUT - PBT, BLACK  
SCREWS - STEEL, ZINC PLATE
  - FOR USE WITH POWER DRAWER CONTACTS AND HOUSINGS (ORDERED SEPARATELY)
  - REFER TO ASSEMBLY INSTRUCTIONS (1S6639)

**KIT PART NO. SK1-076D05**

DIMENSIONS ARE IN:	MM [INCH]	<i>APPROVALS</i>			<b>ANDERSON POWER PRODUCTS</b>	
UNLESS OTHERWISE STATED		DRAWN	3/19/2015		TITLE	
TOLERANCES:		NTS		MID POWER SPEC PAK® 5 POSITION IN-LINE RECEPTACLE KIT		
DECIMALS (INCH)	DECIMALS (MM)	CHECKED				
.XX ± .02	.X ± .5	MFG APPRV				
ANGLES ±2°		QC APPRV				
SURFACE FINISH:		ENG APPRV		SIZE	DWG NO.	REV.
MACHINED	3.2µ [128µin]			A	115165S4	A
MOLDED	1.6µ [64µin]			SCALE	CADFILE	SHEET
MATERIAL: SEE NOTES				NONE	04488	1 OF 1
FINISH: N/A		-CAD GENERATED DRAWING- DO NOT MANUALLY UPDATE DO NOT SCALE				

REV.	DESCRIPTION	APPRV	DATE
REVISIONS			