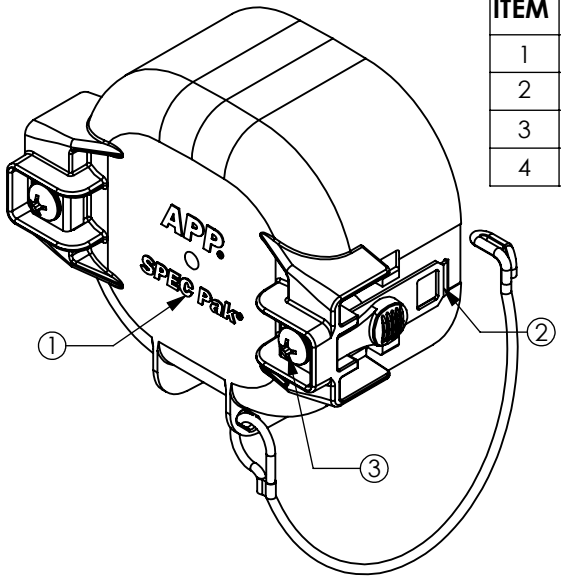


THE INFORMATION CONTAINED IN THIS DRAWING IS THE SOLE PROPERTY OF ANDERSON POWER PRODUCTS. ANY REPRODUCTION IN PART OR WHOLE WITHOUT THE WRITTEN PERMISSION OF ANDERSON POWER PRODUCTS IS PROHIBITED.

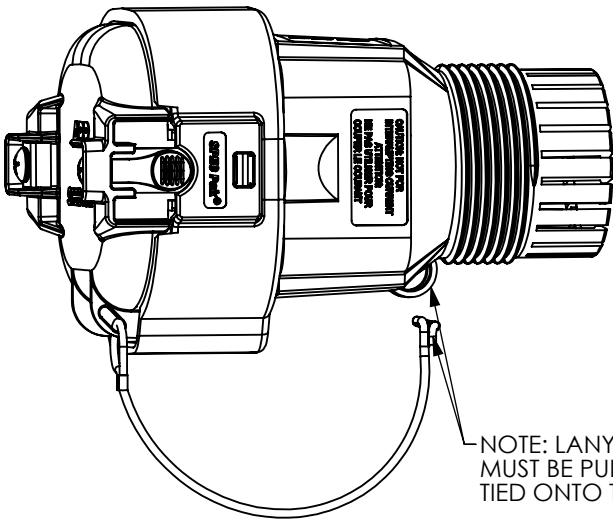
Copyright 2015

ANDERSON POWER PRODUCTS RESERVES THE RIGHT TO ALTER PRODUCT TYPES, THEIR TECHNICAL DATA, DIMENSION, STYLE AND ACCESSORIES WITHOUT PRIOR NOTIFICATION.

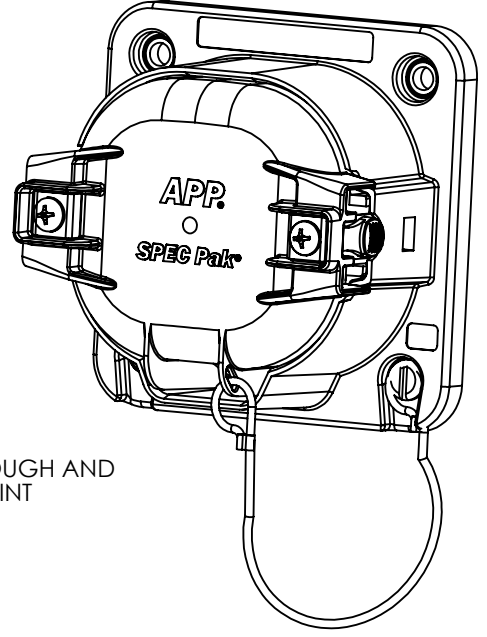
ITEM	QTY.	DESCRIPTION
1	1	MID POWER RECEPTACLE COVER BODY
2	2	Mid Power Spec Pak® Receptacle Cover Latch
3	2	#6-19 #6 X 5/16 48-2 PLASTITE PH PAN-SS
4	1	BRAIDED LANYARD, BLACK



COVER ON IN-LINE RECEPTACLE



COVER ON PANEL MOUNT RECEPTACLE



- NOTES:
- MATERIAL:
 - COVER- PBT/PC BLEND, UL94 V-0, BLACK
 - LATCHES- STAINLESS STEEL
 - SCREWS- STAINLESS STEEL
 - LANYARD- NYLON/POLYESTER BRAIDED CORD, BLACK
 - LANYARD SHIPS ATTACHED TO THE COVER, ATTACH OPPOSITE END TO RECEPTACLE HOUSINGS AS SHOWN
 - RECEPTACLE HOUSINGS PURCHASED SEPARATELY

DIMENSIONS ARE IN:	MM [INCH]	<i>APPROVALS</i>			ANDERSON POWER PRODUCTS		
UNLESS OTHERWISE STATED		DRAWN	10/21/2015		TITLE		
TOLERANCES:		CMS		CAT. NO. SK9-076			
DECIMALS (INCH)	DECIMALS (MM)	CHECKED		MID POWER SPEC PAK®			
.XX ± .02	.X ± .5	PM APPRV		RECEPTACLE COVER			
SURFACE FINISH:		QC APPRV		SIZE	DWG NO.	REV.	
MACHINED	3.2µ [128µin]	ENG APPRV		A	115465S1	A	
MOLDED	1.6µ [64µin]			SCALE	CADFILE	SHEET	
MATERIAL: SEE NOTES				NONE	04665	1 OF 1	
FINISH:				-CAD GENERATED DRAWING- DO NOT MANUALLY UPDATE DO NOT SCALE			
3rd ANGLE PROJECTION							

REV.	DESCRIPTION	APPRV	DATE
REVISIONS			