

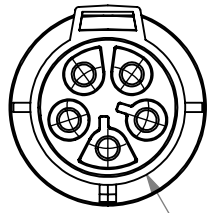
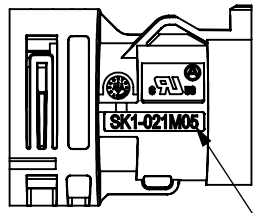
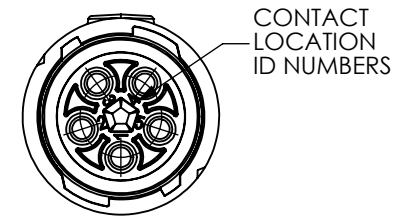
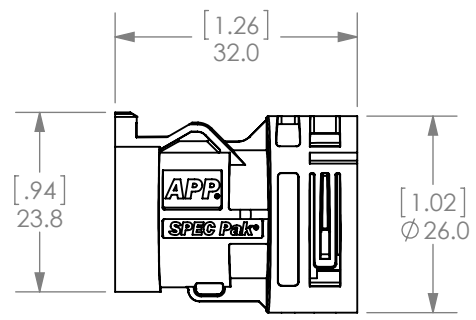
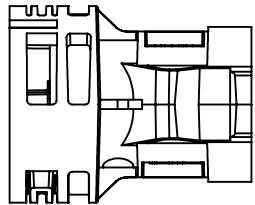
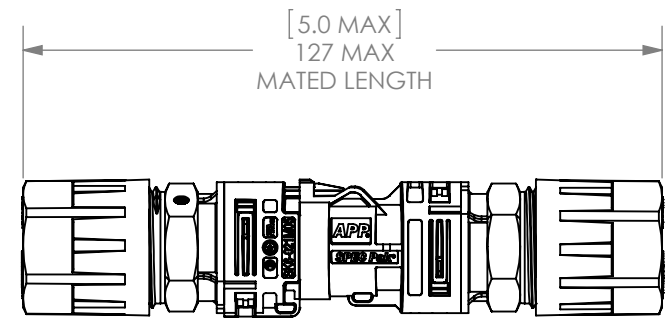
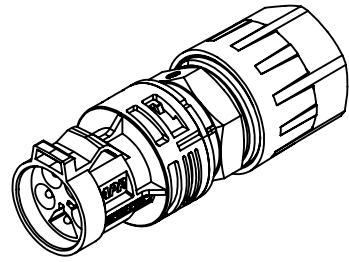
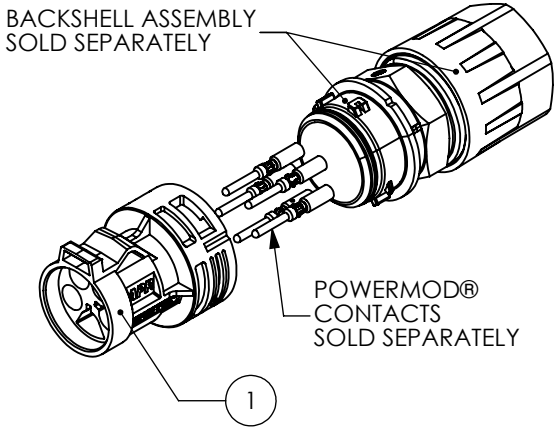
8 7 6 5 4 3 2 1

THE INFORMATION CONTAINED IN THIS DRAWING IS THE SOLE PROPERTY OF ANDERSON POWER PRODUCTS. ANY REPRODUCTION IN PART OR WHOLE WITHOUT THE WRITTEN PERMISSION OF ANDERSON POWER PRODUCTS IS PROHIBITED.

Copyright 2013

ANDERSON POWER PRODUCTS RESERVES THE RIGHT TO ALTER PRODUCT TYPES, THEIR TECHNICAL DATA, DIMENSION, STYLE AND ACCESSORIES WITHOUT PRIOR NOTIFICATION.

COMPONENTS INCLUDED		
ITEM	QTY	DESCRIPTION
1	1	IN-LINE RECEPTACLE SHELL (MALE)



PART NUMBER (SEE SHEET 2 FOR KEYING)

[.81] Ø20.5

PART NO: SK1-021M05
SEE SHEET 2 FOR ADDITIONAL KEYS

- NOTES:
- MATERIAL: PC, BLACK
 - FOR USE WITH POWERMOD® PIN CONTACTS (SOLD SEPARATELY)
 - REFER TO ASSEMBLY INSTRUCTIONS 1S6617

DIMENSIONS ARE IN:	MM [INCH]	APPROVALS			ANDERSON POWER PRODUCTS		
UNLESS OTHERWISE STATED		DRAWN	10/7/2013		TITLE		
TOLERANCES:		NTS		5-POSITION MINI-PL SPEC PAK® IN-LINE RECEPTACLE SHELL (MALE)			
DECIMALS (INCH)	DECIMALS (MM)	CHECKED	1/23/2014				
.XX ±.02	.X ±.5	MM					
SURFACE FINISH:		MFG APPRV	1/24/2014	SIZE			
MACHINED	3.2µ [128µin]	CHB					
MOLDED	1.6µ [64µin]	QC APPRV	1/23/2014	A		115307S1	
MATERIAL:		UFN		SCALE		SHEET	
SEE NOTE 1		ENG APPRV	1/23/2014	NONE		1 OF 2	
FINISH:		CMS		CADFILE		04071	
3rd ANGLE PROJECTION		-CAD GENERATED DRAWING- DO NOT MANUALLY UPDATE DO NOT SCALE		NONE		04071	

1	ECRN-15568	TWE	2/6/2014
REV.	DESCRIPTION	APPRV	DATE
REVISIONS			

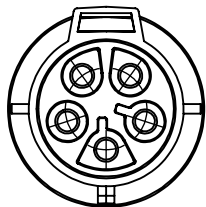
8 7 6 5 4 3 2 1

8 7 6 5 4 3 2 1

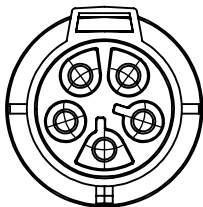
THE INFORMATION CONTAINED IN THIS DRAWING IS THE SOLE PROPERTY OF ANDERSON POWER PRODUCTS. ANY REPRODUCTION IN PART OR WHOLE WITHOUT THE WRITTEN PERMISSION OF ANDERSON POWER PRODUCTS IS PROHIBITED.

Copyright 2013

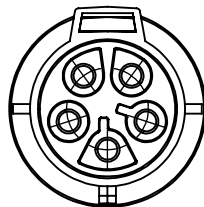
ANDERSON POWER PRODUCTS RESERVES THE RIGHT TO ALTER PRODUCT TYPES, THEIR TECHNICAL DATA, DIMENSION, STYLE AND ACCESSORIES WITHOUT PRIOR NOTIFICATION.



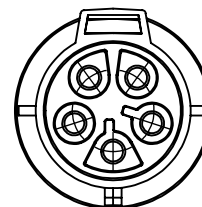
SK1-021M05



SK1-A21M05



SK1-B21M05



SK1-F21M05

NOTE:
CONTACT FACTORY FOR
ADDITIONAL KEYS

DIMENSIONS ARE IN:		MM [INCH]		APPROVALS			ANDERSON POWER PRODUCTS		
UNLESS OTHERWISE STATED				DRAWN	NTS		10/7/2013	TITLE 5-POSITION MINI-PL SPEC PAK® IN-LINE RECEPTACLE SHELL (MALE)	
TOLERANCES:				CHECKED	MM	1/23/2014	SIZE A		
DECIMALS (INCH)	DECIMALS (MM)	ANGLES		MFG APPRV	CHB	1/24/2014			
.XX ± .02	.X ± .5	±2°		QC APPRV	UFN	1/23/2014	REV. 1		
SURFACE FINISH:				ENG APPRV	CMS	1/23/2014			
MACHINED		3.2µ [128µin]		FINISH:			CADFILE 04071		
MOLDED		1.6µ [64µin]							
MATERIAL: SEE NOTE 1				-CAD GENERATED DRAWING- DO NOT MANUALLY UPDATE DO NOT SCALE					

-	SEE SHEET 1	-	-
REV.	DESCRIPTION	APPRV	DATE
REVISIONS			

8 7 6 5 4 3 2 1