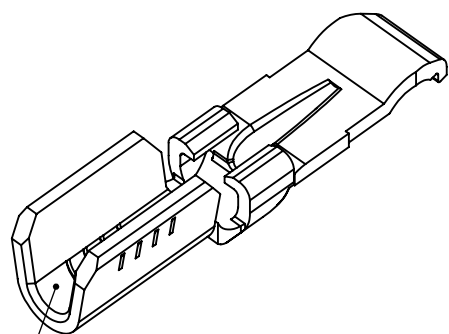


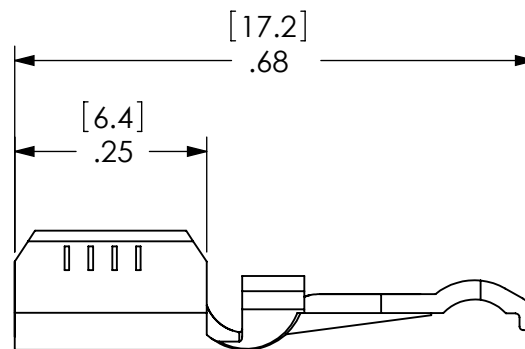
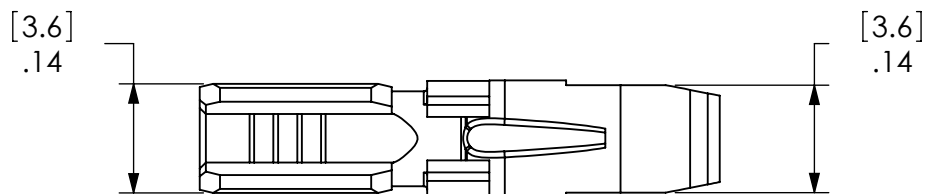
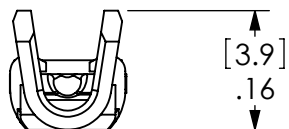
THE INFORMATION CONTAINED IN THIS DRAWING IS THE SOLE PROPERTY OF ANDERSON POWER PRODUCTS. ANY REPRODUCTION IN PART OR WHOLE WITHOUT THE WRITTEN PERMISSION OF ANDERSON POWER PRODUCTS IS PROHIBITED.

Copyright 2009

ANDERSON POWER PRODUCTS RESERVES THE RIGHT TO ALTER PRODUCT TYPES, THEIR TECHNICAL DATA, DIMENSION, STYLE AND ACCESSORIES WITHOUT PRIOR NOTIFICATION.



BARREL SIZED FOR  
#16-20 AWG WIRE



DIMENSIONS ARE IN: INCH[MM]		APPROVALS		<b>ANDERSON POWER PRODUCTS</b>
UNLESS OTHERWISE STATED		DRAWN	NTS 6/18/09	
TOLERANCES:		CHECKED	DJD 6/18/09	
DECIMALS (INCH)	DECIMALS (MM)	ANGLES	MFG APP	
.XX ± .02	.X ± .5	±2°	CHB 6/18/09	
SURFACE FINISH:		QC APP	UFN 6/18/09	SIZE A/A4 DWG NO. 112718S8 REV. 0
MACHINED	128 [3.2]	ENG APP	BD 6/18/09	
MOLDED	64 [1.6]	MATERIAL: COPPER ALLOY		SCALE NONE CADFILE 02927 SHEET 1 OF 1
FINISH: SILVER PLATE		-CAD GENERATED DRAWING- DO NOT MANUALLY UPDATE DO NOT SCALE		

REV.	DESCRIPTION OF CHANGES	APPROVED	DATE
8			
7			
6			
5			

