

THE INFORMATION CONTAINED IN THIS DRAWING IS THE SOLE PROPERTY OF ANDERSON POWER PRODUCTS. ANY REPRODUCTION IN PART OR WHOLE WITHOUT THE WRITTEN PERMISSION OF ANDERSON POWER PRODUCTS IS PROHIBITED.

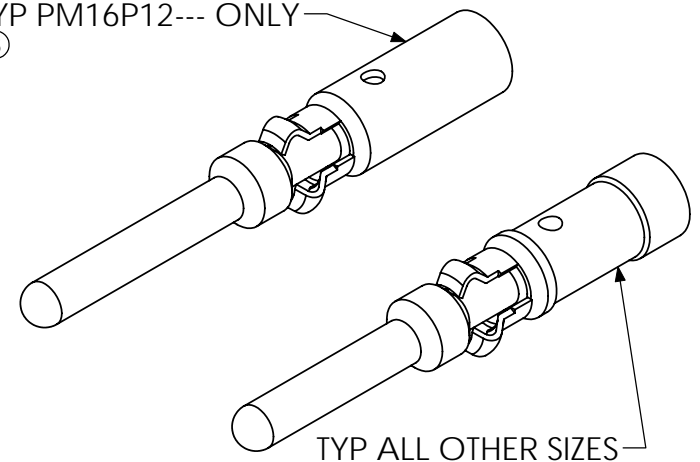
Copyright 2006

ANDERSON POWER PRODUCTS RESERVES THE RIGHT TO ALTER PRODUCT TYPES, THEIR TECHNICAL DATA, DIMENSION, STYLE AND ACCESSORIES WITHOUT PRIOR NOTIFICATION.

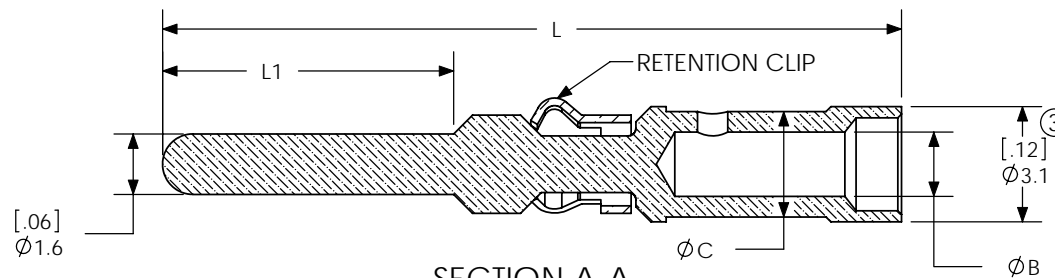
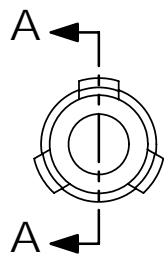
PART NO.	AWG	DIA B		DIA C		L1		L- REF	
		mm	IN	mm	IN	mm	IN	mm	IN
PM16P2024S30	20/22/24	1.1	.04	2.0	.08	7.7	.30	19.6	.77
PM16P1620S30	16/18/20	1.7	.07	2.8	.11	7.7	.30	19.6	.77
PM16P1416S30	14/16	2.1	.08	2.8	.11	7.7	.30	19.6	.77
PM16P12S30	12	2.6	.10	N/A	N/A	7.7	.30	19.6	.77
PM16P2024A30	20/22/24	1.1	.04	2.0	.08	9.3	.37	21.2	.83
PM16P1620A30	16/18/20	1.7	.07	2.8	.11	9.3	.37	21.2	.83
PM16P1416A30	14/16	2.1	.08	2.8	.11	9.3	.37	21.2	.83
PM16P12A30	12	2.6	.10	N/A	N/A	9.3	.37	21.2	.83
PM16P2024B30	20/22/24	1.1	.04	2.0	.08	8.5	.33	20.4	.80
PM16P1620B30	16/18/20	1.7	.07	2.8	.11	8.5	.33	20.4	.80
PM16P1416B30	14/16	2.1	.08	2.8	.11	8.5	.33	20.4	.80
PM16P12B30	12	2.6	.10	N/A	N/A	8.5	.33	20.4	.80
PM16P2024C30	20/22/24	1.1	.04	2.0	.08	6.4	.25	18.3	.72
PM16P1620C30	16/18/20	1.7	.07	2.8	.11	6.4	.25	18.3	.72
PM16P1416C30	14/16	2.1	.08	2.8	.11	6.4	.25	18.3	.72
PM16P12C30	12	2.6	.10	N/A	N/A	6.4	.25	18.3	.72

TYP PM16P12--- ONLY

③



TYP ALL OTHER SIZES



NOTES:

- MATERIAL:
CONTACT BODY: BRASS
RETENTION CLIP: STAINLESS STEEL
- FINISH:
GOLD OVER NICKEL (LEAD FREE)
- CRIMP CONTACT ONTO WIRE BEFORE INSERTING INTO HOUSING

DIMENSIONS ARE IN:		MM[INCH]	APPROVALS		ANDERSON POWER PRODUCTS	
UNLESS OTHERWISE STATED			DRAWN	CMS	1/25/06	TITLE POWERMOD MALE CRIMP CONTACTS
TOLERANCES:			CHECKED	DJD	1/25/06	
DECIMALS (INCH) DECIMALS (MM) ANGLES			MFG APP	CHB	1/25/06	
.XX ± .02 .X ± .5 ± 2°			QC APP	JA	1/25/06	
SURFACE FINISH:			ENG APP	DAM	1/25/06	SIZE
ISO 1302 ✓			MATERIAL: SEE NOTES		A/A4	
FINISH: SEE NOTES			DWG NO.		114645S1	
3 ECRN 14485: ADD Ø3.1, ADD ISO VIEW #12 CONTACT			CMS	9/11/09	REV. 3	
2 ECRN 14034			CMS	6/19/06	SCALE	
1 ECRN 13959			CMS	1/30/06	NONE	
REV.	DESCRIPTION OF CHANGES	APPROVED	DATE	CAD GENERATED DRAWING. DO NOT MANUALLY UPDATE. DO NOT SCALE		CADFILE
				NONE		02498
						SHEET 1 OF 1



3rd ANGLE PROJECTION