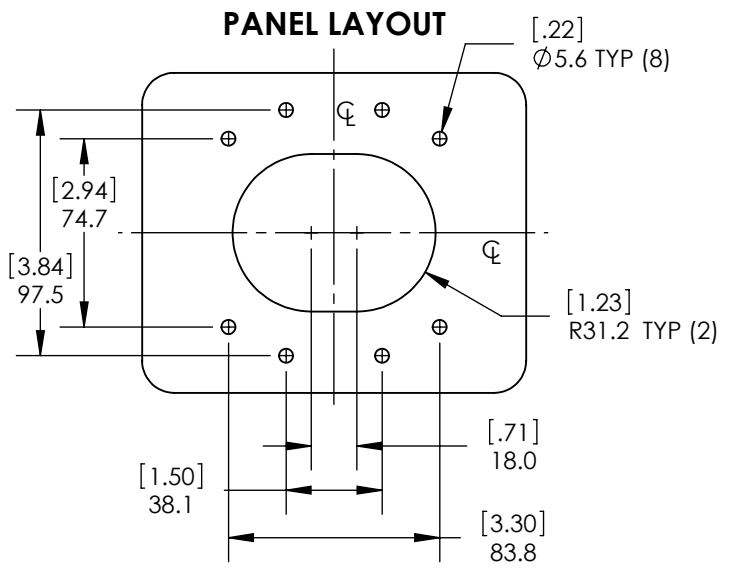
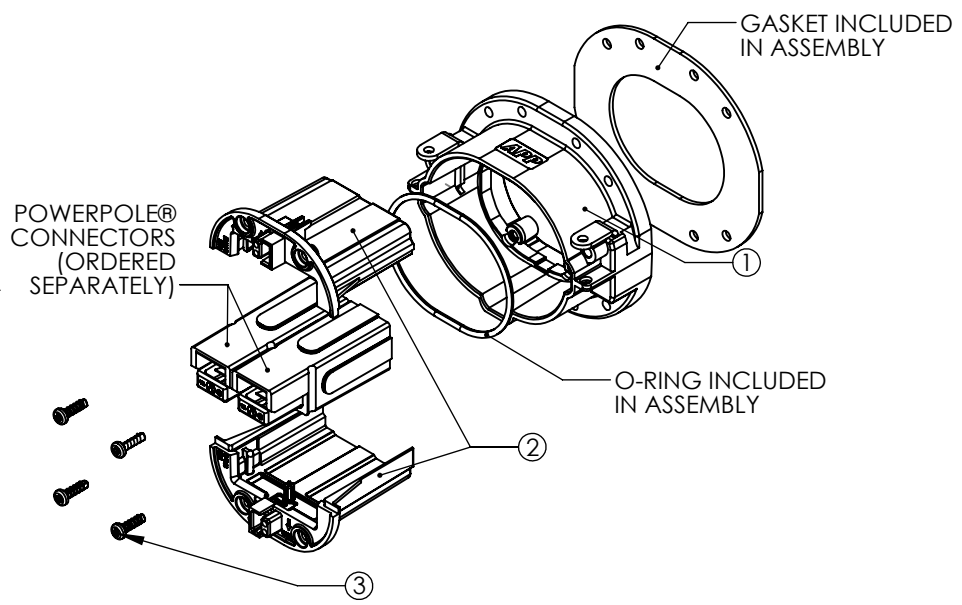


THE INFORMATION CONTAINED IN THIS DRAWING IS THE SOLE PROPERTY OF ANDERSON POWER PRODUCTS. ANY REPRODUCTION IN PART OR WHOLE WITHOUT THE WRITTEN PERMISSION OF ANDERSON POWER PRODUCTS IS PROHIBITED.

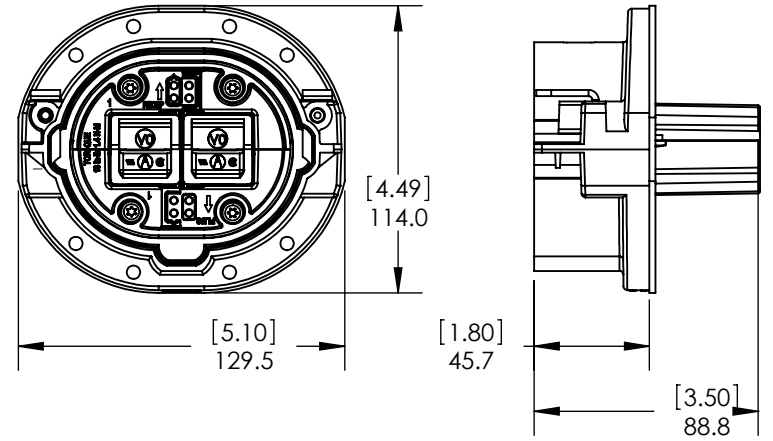
Copyright 2010

ANDERSON POWER PRODUCTS RESERVES THE RIGHT TO ALTER PRODUCT TYPES, THEIR TECHNICAL DATA, DIMENSION, STYLE AND ACCESSORIES WITHOUT PRIOR NOTIFICATION.



INCLUDED COMPONENTS

| ITEM | QTY | DESC |
|------|-----|---------------------------------|
| 1 | 1 | RECEPTACLE PANEL MOUNT ASSEMBLY |
| 2 | 2 | HOLDER HALVES |
| 3 | 4 | SELF TAPPING SCREWS |



- NOTES:
 1. MATERIAL
 A. RECEPTACLE HOUSING AND HOLDER-PBT BLACK
 2. FOR USE WITH PP180 CONTACTS AND HOUSINGS (ORDERED SEPARATELY)
 3. HOLDER ACCEPTS UP TO FOUR POWERMOD™ PINS AND FOUR POWERMOD™ SOCKETS (ORDERED SEPARATELY)
 4. REFER TO ASSEMBLY INSTRUCTIONS 1S6555

| | | | | | | | |
|-----------------------------|---------------|---|-----------|--------------------------------|---|------------|------|
| DIMENSIONS ARE IN: MM(INCH) | | APPROVALS | | ANDERSON POWER PRODUCTS | | | |
| UNLESS OTHERWISE STATED | | DRAWN | TWE | 11/5/2010 | TITLE HIGH POWER SPEC PAK™ PP180 PANEL MOUNT RECEPTACLE CONNECTOR KIT SK2-095H02 | | |
| TOLERANCES: | | CHECKED | CMS | 11/17/2010 | | | |
| DECIMALS (INCH) | DECIMALS (MM) | ANGLES | MFG APPRV | CHB | | 11/22/2010 | |
| .XX ±.02 | .X ±.5 | ±2° | QC APPRV | UPN | | 11/22/2010 | |
| SURFACE FINISH: | | ENG APPRV | BD | 11/22/2010 | SIZE | DWG NO. | REV. |
| MACHINED | 128 [3.2] ✓ | | | | 0A | 115021S1 | 0 |
| MOLDED | 64 [1.6] ✓ | | | | | | |
| MATERIAL: SEE NOTES | | -CAD GENERATED DRAWING- DO NOT MANUALLY UPDATE DO NOT SCALE | | SCALE | CADFILE | SHEET | |
| FINISH: | | | | NONE | 03322 | 1 OF 2 | |

| REV. | DESCRIPTION | APPRV | DATE |
|-----------|-------------|-------|------|
| REVISIONS | | | |

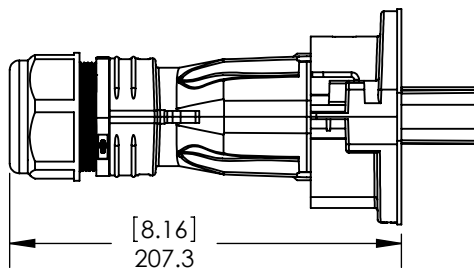
THE INFORMATION CONTAINED IN THIS DRAWING IS THE SOLE PROPERTY OF ANDERSON POWER PRODUCTS. ANY REPRODUCTION IN PART OR WHOLE WITHOUT THE WRITTEN PERMISSION OF ANDERSON POWER PRODUCTS IS PROHIBITED.

Copyright 2010

ANDERSON POWER PRODUCTS RESERVES THE RIGHT TO ALTER PRODUCT TYPES, THEIR TECHNICAL DATA, DIMENSION, STYLE AND ACCESSORIES WITHOUT PRIOR NOTIFICATION.

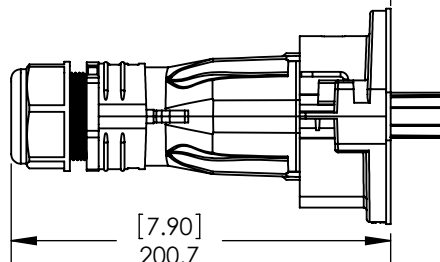
APPROXIMATE OVERALL LENGTH RECEPTACLES AND PLUGS WITH GLANDS

**PANEL MT W/
PG-42 GLAND**



PANEL

**PANEL MT W/
PG-36 GLAND**



| | | | | | | | |
|---|--|-----------|--|---|-----|--------------------------------|---|
| DIMENSIONS ARE IN: | | INCH [MM] | | <i>APPROVALS</i> | | ANDERSON POWER PRODUCTS | |
| UNLESS OTHERWISE STATED | | | | DRAWN | TWE | 11/5/2010 | TITLE HIGH POWER SPEC PAK™ PP180 PANEL MOUNT RECEPTACLE CONNECTOR KIT SK2-095H02 |
| TOLERANCES: | | | | CHECKED | CMS | 11/17/2010 | |
| DECIMALS (INCH) DECIMALS (MM) ANGLES .XX ± .02 .X ± .5 ±2° | | | | MFG APPRV | CHB | 11/22/2010 | |
| SURFACE FINISH: | | | | QC APPRV | UPN | 11/22/2010 | |
| MATERIAL: SEE NOTES | | | | ENG APPRV | BD | 11/22/2010 | SIZE 0A |
| FINISH: | | | | | | DWG NO. | 115021S1 |
| | | | | -CAD GENERATED DRAWING- DO NOT MANUALLY UPDATE DO NOT SCALE | | SCALE | NONE |
| | | | | | | CADFILE | 03322 |
| | | | | | | SHEET | 2 OF 2 |
| | | | | | | REV. | 0 |