

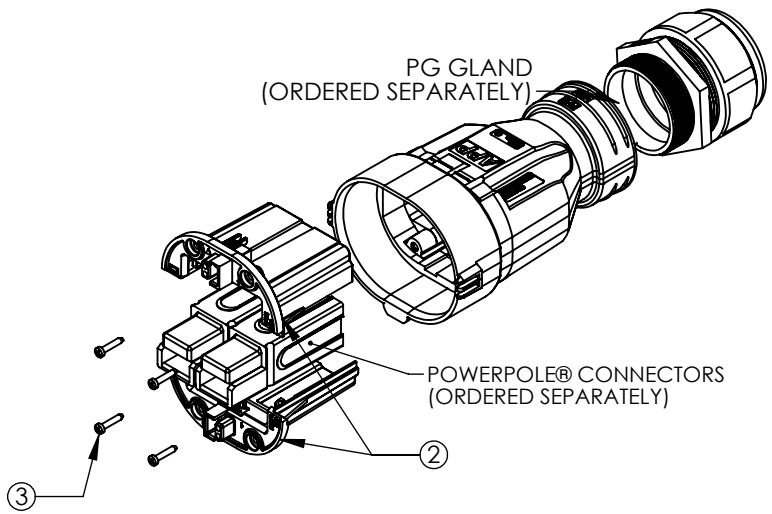
THE INFORMATION CONTAINED IN THIS DRAWING IS THE SOLE PROPERTY OF ANDERSON POWER PRODUCTS. ANY REPRODUCTION IN PART OR WHOLE WITHOUT THE WRITTEN PERMISSION OF ANDERSON POWER PRODUCTS IS PROHIBITED.

**Copyright 2010**

ANDERSON POWER PRODUCTS RESERVES THE RIGHT TO ALTER PRODUCT TYPES, THEIR TECHNICAL DATA, DIMENSION, STYLE AND ACCESSORIES WITHOUT PRIOR NOTIFICATION.

D  
C  
B  
A

D  
C  
B  
A



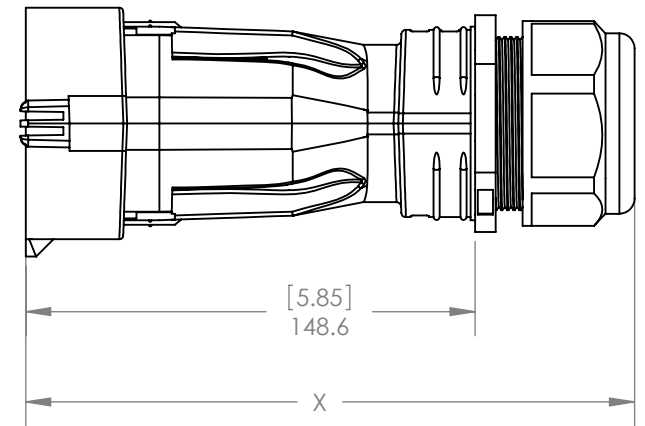
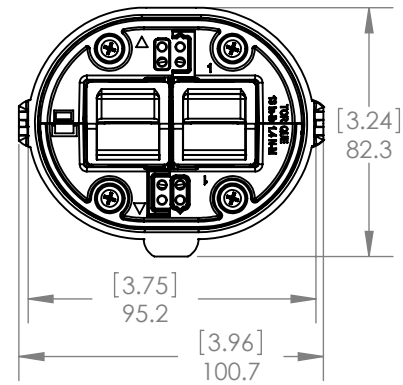
**APPROXIMATE OVERALL LENGTH W/ GLAND**

P/N	GLAND SIZES	X	
		MM	IN
SK6-A95H02	PG-36	193	7.6
SK6-B95H02	PG-42	201	7.9

**INCLUDED COMPONENTS**

ITEM	QTY	DESC
1	1	PLUG HOUSING
2	2	HOLDER HALVES
3	4	SELF TAPPING SCREWS

- NOTES:  
 1. MATERIAL  
 A. PLUG HOUSING AND HOLDER-PBT BLACK  
 2. FOR USE WITH PP180 CONTACTS AND HOUSINGS (ORDERED SEPARATELY)  
 3. HOLDER ACCEPTS UP TO FOUR POWERMOD™ PINS AND FOUR POWERMOD™ SOCKETS (ORDERED SEPARATELY)  
 4. REFER TO ASSEMBLY INSTRUCTION 1S6554



1	ECRN-14781 DIMENSION CLARIFICATION	TWE	11/30/10
REV.	DESCRIPTION	APPRV	DATE
REVISIONS			

DIMENSIONS ARE IN:	MM(INCH)	<b>APPROVALS</b>	
UNLESS OTHERWISE STATED		DRAWN	TWE 11/3/2010
TOLERANCES:		CHECKED	CMS 11/17/2010
DECIMALS (INCH)	DECIMALS (MM)	ANGLES	
.XX ±.02	.X ±.5	±2°	
SURFACE FINISH:		MFG APPRV	CHB 11/22/2010
MACHINED	128 [3.2] ✓	QC APPRV	UPN 11/22/2010
MOLDED	64 [1.6] ✓	ENG APPRV	BD 11/22/2010
MATERIAL: SEE NOTES			
FINISH:			

**ANDERSON POWER PRODUCTS**

TITLE  
**HIGH POWER SPEC PAK™  
 PP180 PLUG  
 CONNECTOR KIT**

SIZE A DWG NO. 115024S1 REV. 1



-CAD GENERATED DRAWING-  
 DO NOT MANUALLY UPDATE  
 DO NOT SCALE

SCALE	CADFILE	SHEET
NONE	03316	1 OF 2

THE INFORMATION CONTAINED IN THIS DRAWING IS THE SOLE PROPERTY OF ANDERSON POWER PRODUCTS. ANY REPRODUCTION IN PART OR WHOLE WITHOUT THE WRITTEN PERMISSION OF ANDERSON POWER PRODUCTS IS PROHIBITED.

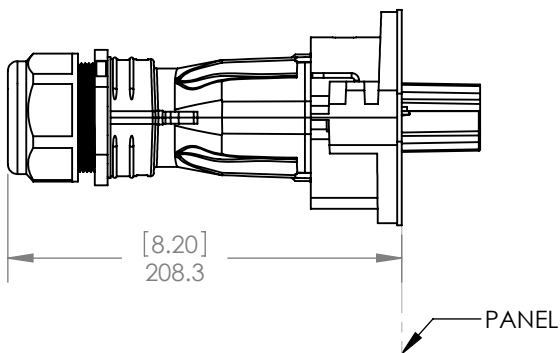
**Copyright 2010**

ANDERSON POWER PRODUCTS RESERVES THE RIGHT TO ALTER PRODUCT TYPES, THEIR TECHNICAL DATA, DIMENSION, STYLE AND ACCESSORIES WITHOUT PRIOR NOTIFICATION.

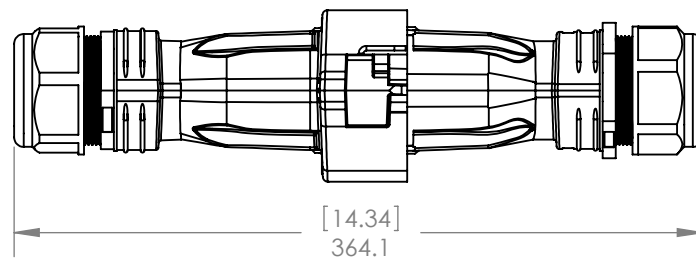
D

D

**PANEL MT W/  
PG-42 GLAND**



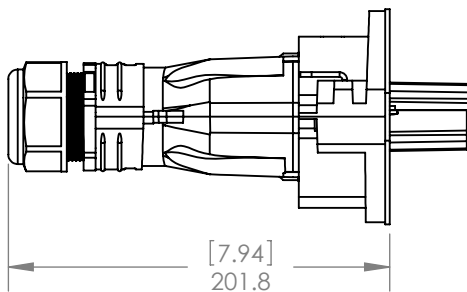
**PG-42  
INLINE**



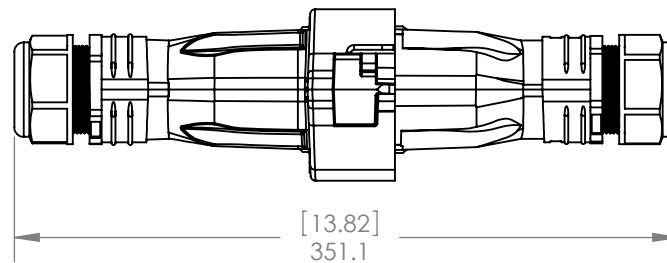
C

C

**PANEL MT W/  
PG-36 GLAND**



**PG-36  
INLINE**



B

B

A

A

DIMENSIONS ARE IN:		MM(INCH)		<i>APPROVALS</i>		<b>ANDERSON POWER PRODUCTS</b>	
UNLESS OTHERWISE STATED				DRAWN	TWE	11/3/2010	TITLE <b>HIGH POWER SPEC PAK™ PP180 PLUG CONNECTOR KIT</b>
TOLERANCES:				CHECKED	CMS	11/17/2010	
DECIMALS (INCH)		DECIMALS (MM)		MFG APPRV		11/22/2010	
.XX ± .02		.X ± .5		QC APPRV		11/22/2010	
SURFACE FINISH:				UPN		11/22/2010	SIZE 0A
MACHINED		128 [3.2] ✓		ENG APPRV		11/22/2010	
MOLDED		64 [1.6] ✓		BD		11/22/2010	DWG NO. 115024S1
MATERIAL: SEE NOTES				REV.		1	SHEET 2 OF 2
FINISH: *****				SCALE		NONE	
 3rd ANGLE PROJECTION				-CAD GENERATED DRAWING- DO NOT MANUALLY UPDATE DO NOT SCALE		CADFILE 03316	