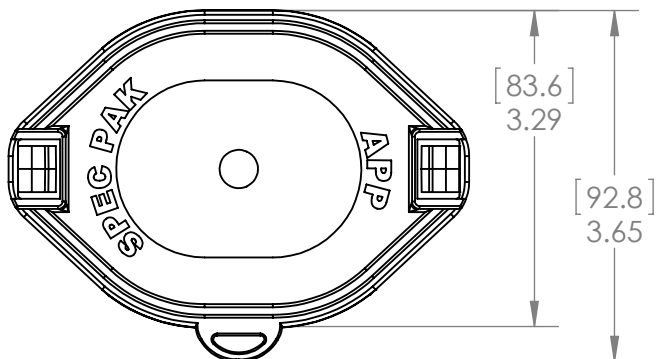


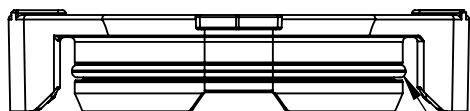
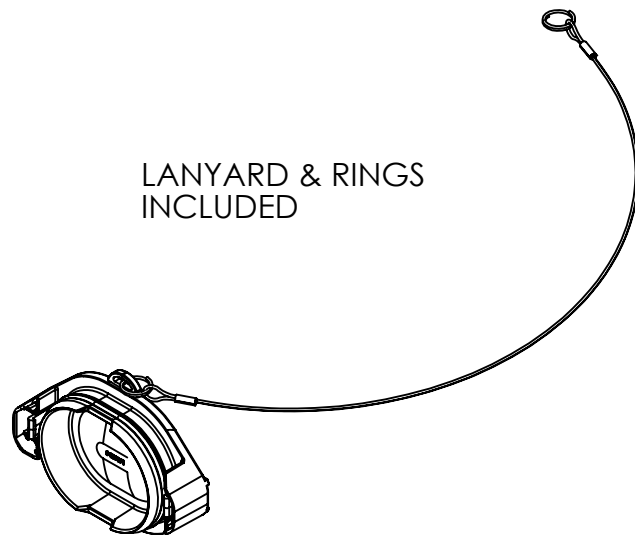
THE INFORMATION CONTAINED IN THIS DRAWING IS THE SOLE PROPERTY OF ANDERSON POWER PRODUCTS. ANY REPRODUCTION IN PART OR WHOLE WITHOUT THE WRITTEN PERMISSION OF ANDERSON POWER PRODUCTS IS PROHIBITED.

Copyright 2011

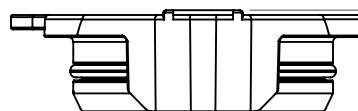
ANDERSON POWER PRODUCTS RESERVES THE RIGHT TO ALTER PRODUCT TYPES, THEIR TECHNICAL DATA, DIMENSION, STYLE AND ACCESSORIES WITHOUT PRIOR NOTIFICATION.



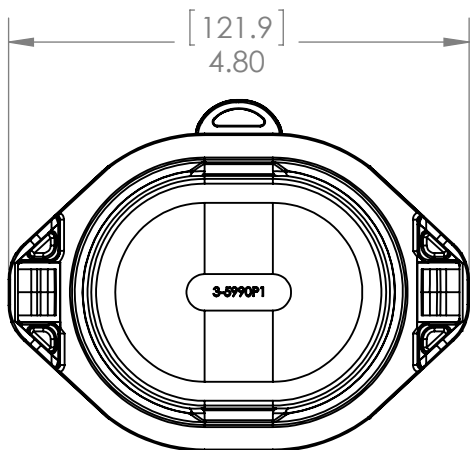
LANYARD & RINGS INCLUDED



ORING LOCATION



[7.1]
.28



COVER MATERIAL: PBT/PC-BLACK
LANYARD MATERIAL: STAINLESS STEEL
SPLIT RING MATERIAL: STAINLESS STEEL

DIMENSIONS ARE IN:		INCH [MM]		<i>APPROVALS</i>		ANDERSON POWER PRODUCTS	
UNLESS OTHERWISE STATED				DRAWN	TWE	2/24/2011	TITLE HIGH POWER SPEC PAK PLUG COVER SALES OUTLINE DRAWING SK9P-095
TOLERANCES:				CHECKED	LLD	2/24/2011	
DECIMALS (INCH)	DECIMALS (MM)	ANGLES		MFG APPRV	CHB	2/25/2011	
.XX ± .02	.X ± .5	±2°		QC APPRV	UFN	2/24/2011	
SURFACE FINISH:				ENG APPRV	CHB_BD	2/25/2011	SIZE A
MACHINED		128	[3.2]	DWG NO.		115042S1	REV. 0
MOLDED		64	[1.6]	SCALE		NONE	CADFILE
MATERIAL:				SHEET		03416	1 OF 1
FINISH:				-CAD GENERATED DRAWING- DO NOT MANUALLY UPDATE DO NOT SCALE			

REV.	DESCRIPTION	APPRV	DATE
REVISIONS			