

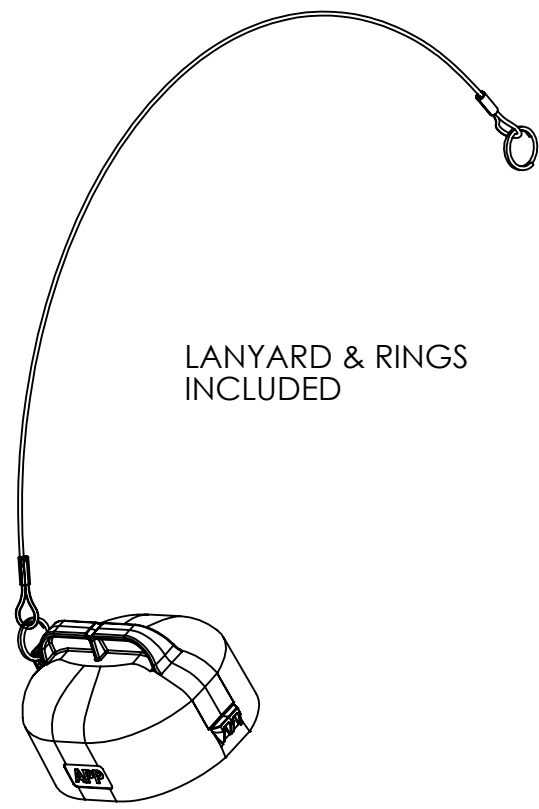
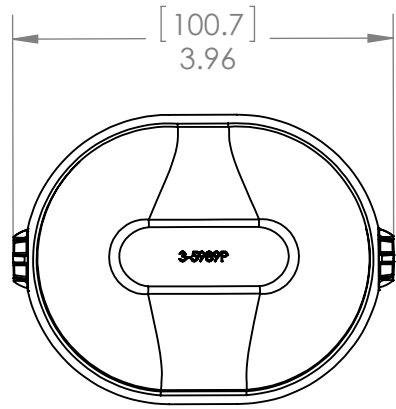
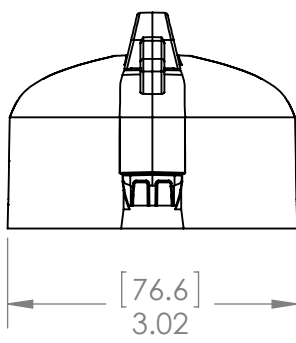
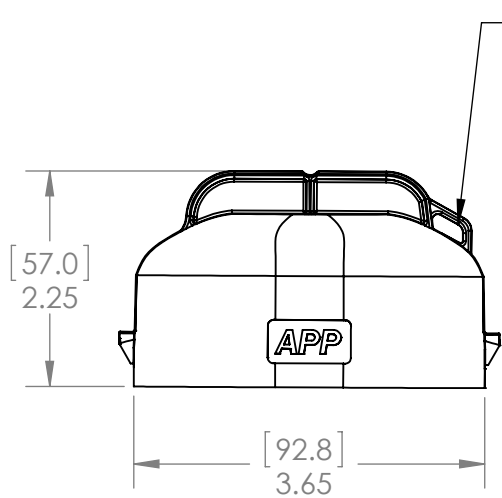
THE INFORMATION CONTAINED IN THIS DRAWING IS THE SOLE PROPERTY OF ANDERSON POWER PRODUCTS. ANY REPRODUCTION IN PART OR WHOLE WITHOUT THE WRITTEN PERMISSION OF ANDERSON POWER PRODUCTS IS PROHIBITED.

Copyright 2011

ANDERSON POWER PRODUCTS RESERVES THE RIGHT TO ALTER PRODUCT TYPES, THEIR TECHNICAL DATA, DIMENSION, STYLE AND ACCESSORIES WITHOUT PRIOR NOTIFICATION.

D
C
B
A

D
C
B
A



COVER MATERIAL: PBT/PC-BLACK
 LANYARD MATERIAL: STAINLESS STEEL
 SPLIT RING MATERIAL: STAINLESS STEEL

DIMENSIONS ARE IN: INCH [MM]		APPROVALS			ANDERSON POWER PRODUCTS			
UNLESS OTHERWISE STATED		DRAWN	TWE		2/23/2011	TITLE HIGH POWER SPEC PAK RECEPTACLE COVER SALES OUTLINE DRAWING SK9-095		
TOLERANCES:		CHECKED	LLD	2/24/2011				
DECIMALS (INCH)	DECIMALS (MM)	ANGLES	MFG APPRV	CHB	2/25/2011			
.XX ± .02	.X ± .5	±2°	QC APPRV	UFN	2/24/2011			
SURFACE FINISH:		ENG APPRV		CHB_BD	2/28/2011	SIZE	DWG NO.	REV.
MACHINED	128 [3.2]	MATERIAL:		-CAD GENERATED DRAWING- DO NOT MANUALLY UPDATE DO NOT SCALE		A	115043S1	0
MOLDED	64 [1.6]	FINISH:		NONE		CADFILE	03417	SHEET
		3rd ANGLE PROJECTION				1 OF 1		

REV.	DESCRIPTION	APPRV	DATE
REVISIONS			