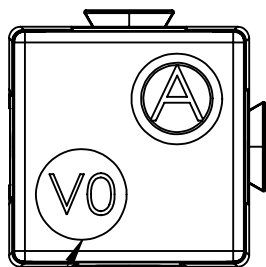
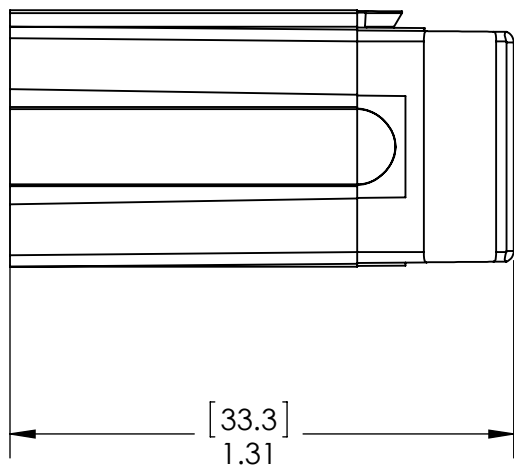


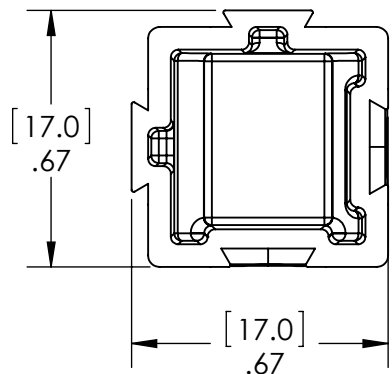
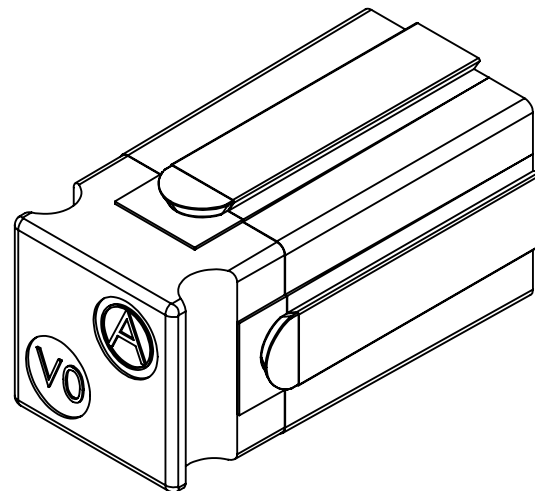
THE INFORMATION CONTAINED IN THIS DRAWING IS THE SOLE PROPERTY OF ANDERSON POWER PRODUCTS. ANY REPRODUCTION IN PART OR WHOLE WITHOUT THE WRITTEN PERMISSION OF ANDERSON POWER PRODUCTS IS PROHIBITED.

Copyright 2012

ANDERSON POWER PRODUCTS RESERVES THE RIGHT TO ALTER PRODUCT TYPES, THEIR TECHNICAL DATA, DIMENSION, STYLE AND ACCESSORIES WITHOUT PRIOR NOTIFICATION.



SEE TABLE FOR MATERIAL ID



POWERPOLE 75 SPACER			
COLOR	MATERIAL	MATERIAL ID	CATALOG NUMBER
RED	POLYCARBONATE	V0	1399G23-BK
RED	PBT+PC	P	1399G24-BK

- NOTES:**
1. THESE SPACERS ARE INTENDED TO PROVIDE A KEYING FEATURE TO POWERPOLE ARRAYS.
 2. 1399G23 SHOWN UNLESS NOTED OTHERWISE

DIMENSIONS ARE IN:		INCH [MM]		APPROVALS		 ANDERSON POWER PRODUCTS	
UNLESS OTHERWISE STATED		DRAWN	MC	10/5/2012	TITLE		
TOLERANCES:		CHECKED	NTS	11/7/2012	SALES OUTLINE FOR PP75 SHORT SPACER		
DECIMALS (INCH)	DECIMALS (MM)	ANGLES					
.XX ± .02	.X ± .5	±2°					
SURFACE FINISH:		MFG APPRV	CHB	11/7/2012			
MACHINED	128µin [3.2µ]	QC APPRV	UFN	11/7/2012			
MOLDED	64µin [1.6µ]	ENG APPRV	BD	11/7/2012			
MATERIAL:		SIZE	A	DWG NO.	115205S2	REV.	0
FINISH:		SCALE	NONE	CADFILE	03829	SHEET	1 OF 1

REV.	DESCRIPTION	APPRV	DATE
REVISIONS			